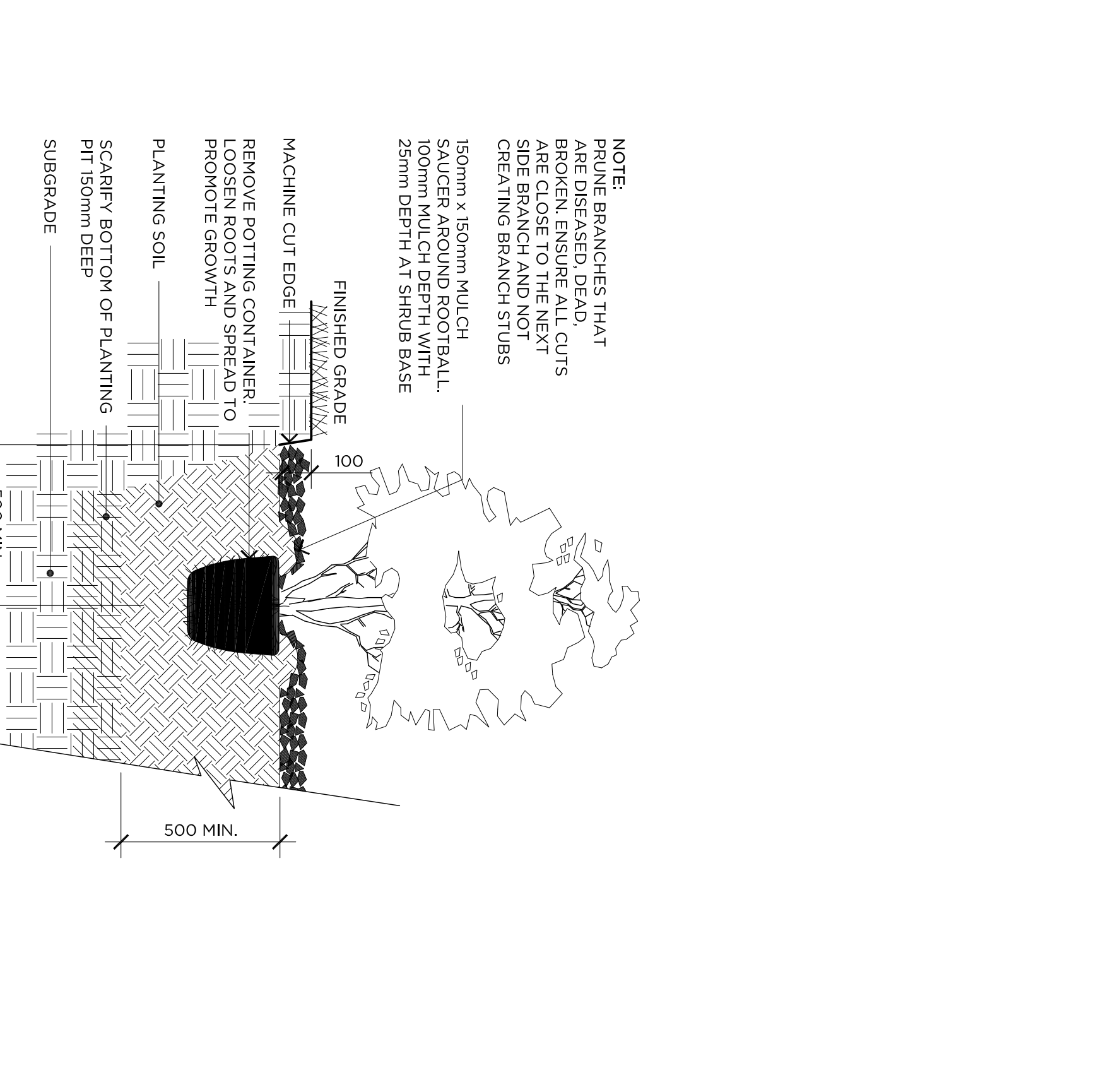
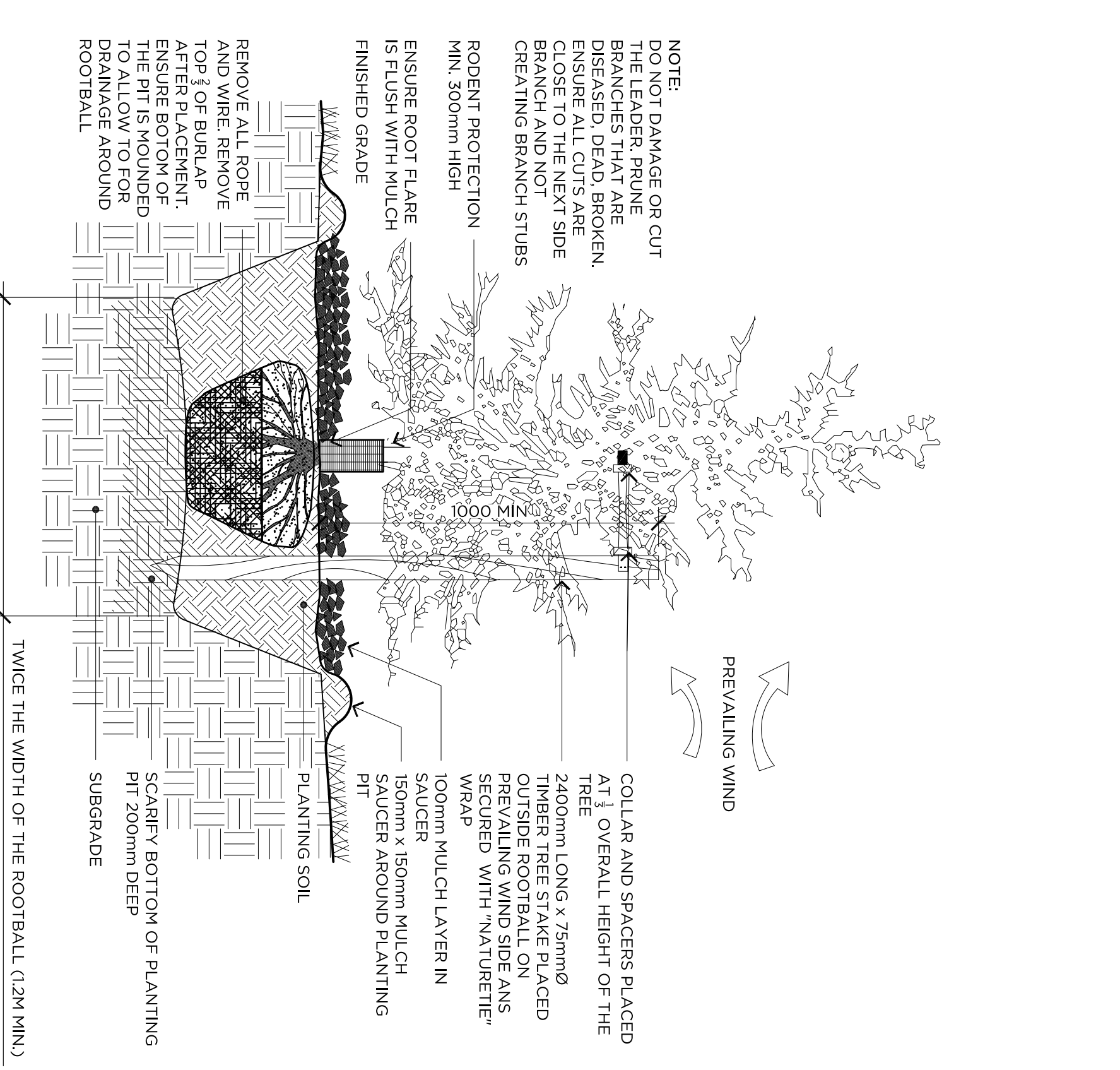
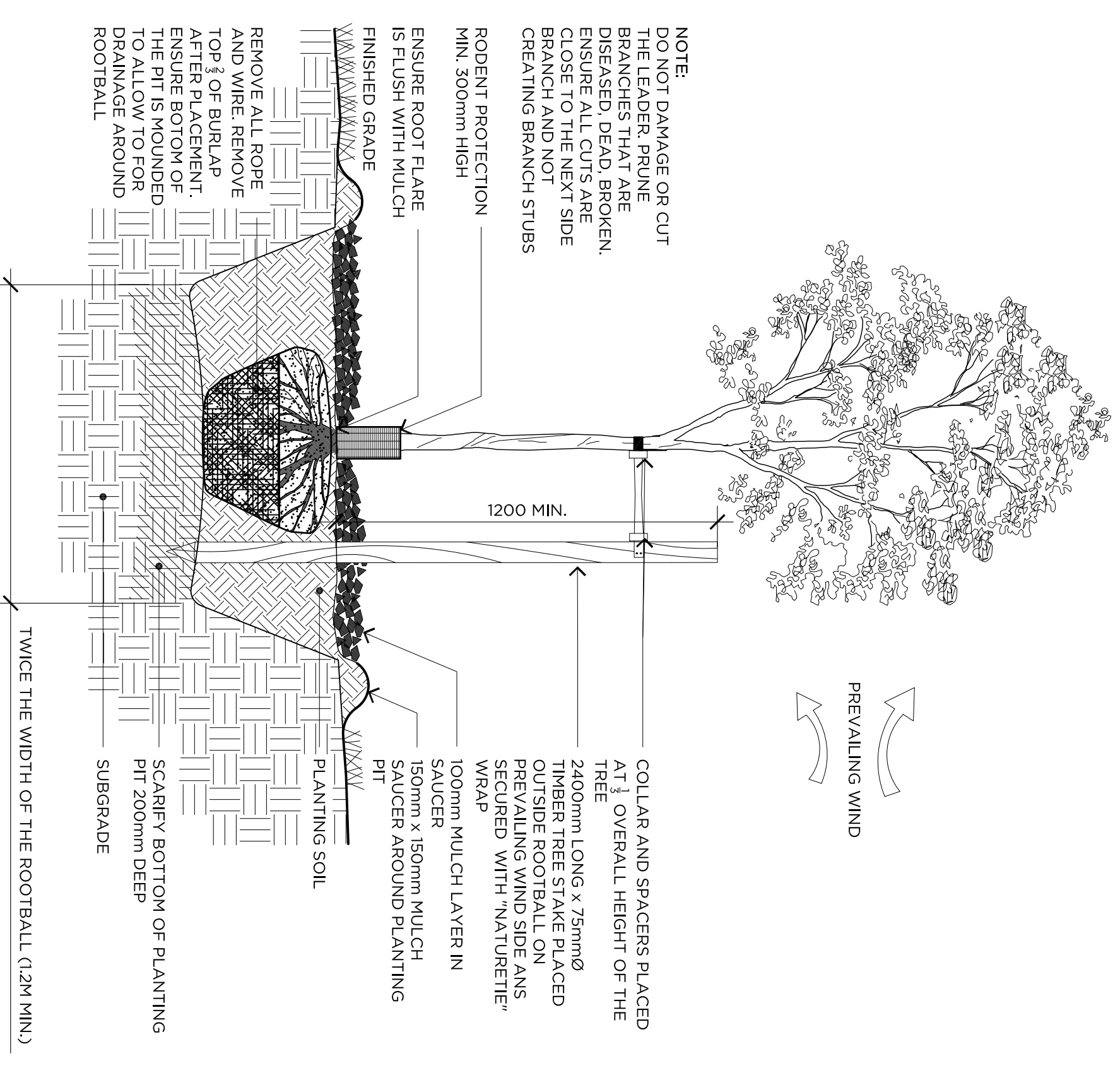


1375 CLYDE AVE DETAILS



1 DECIDUOUS TREE PLANTING

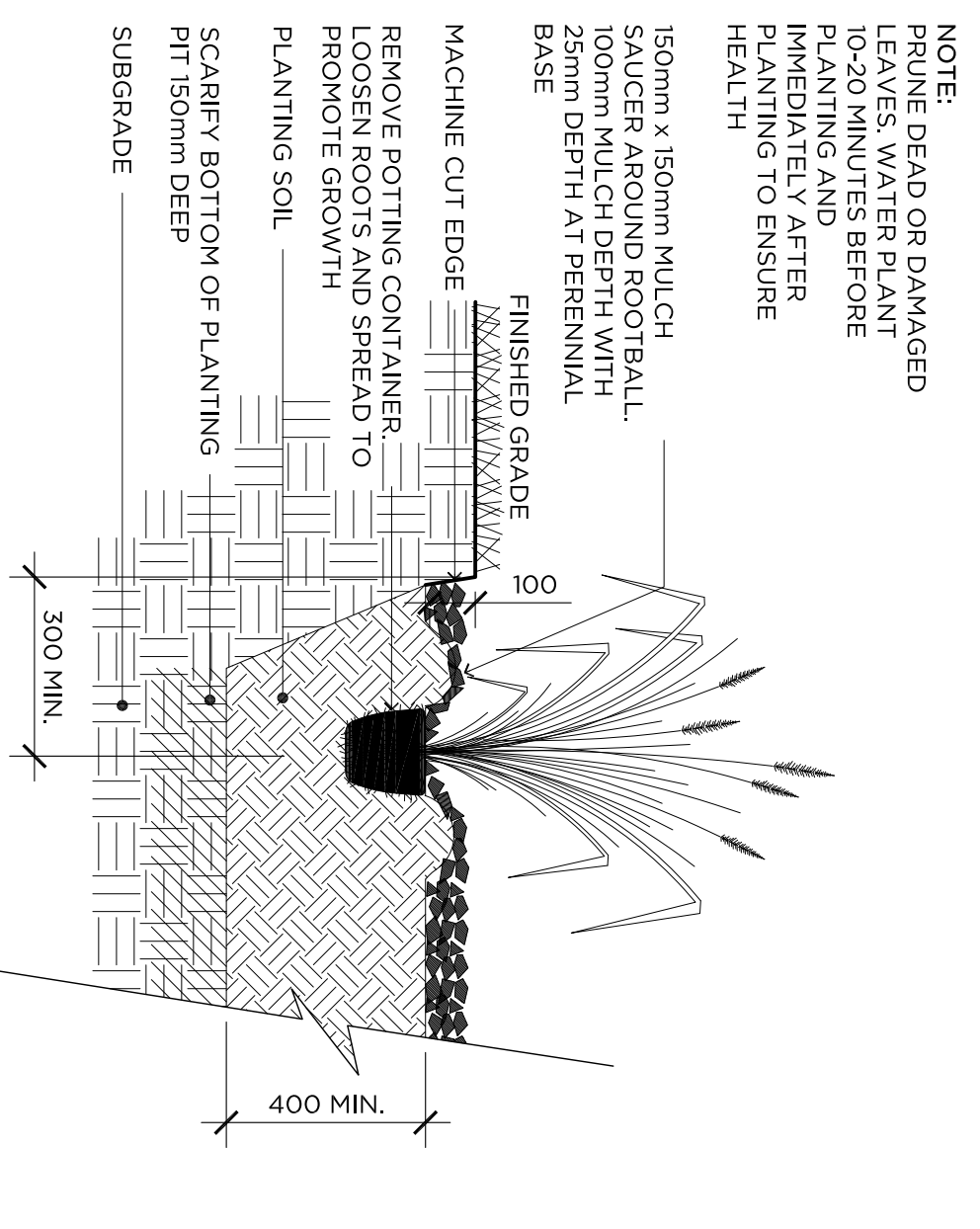
L3-1 NTS

2 CONIFEROUS TREE PLANTING

L3-1 NTS

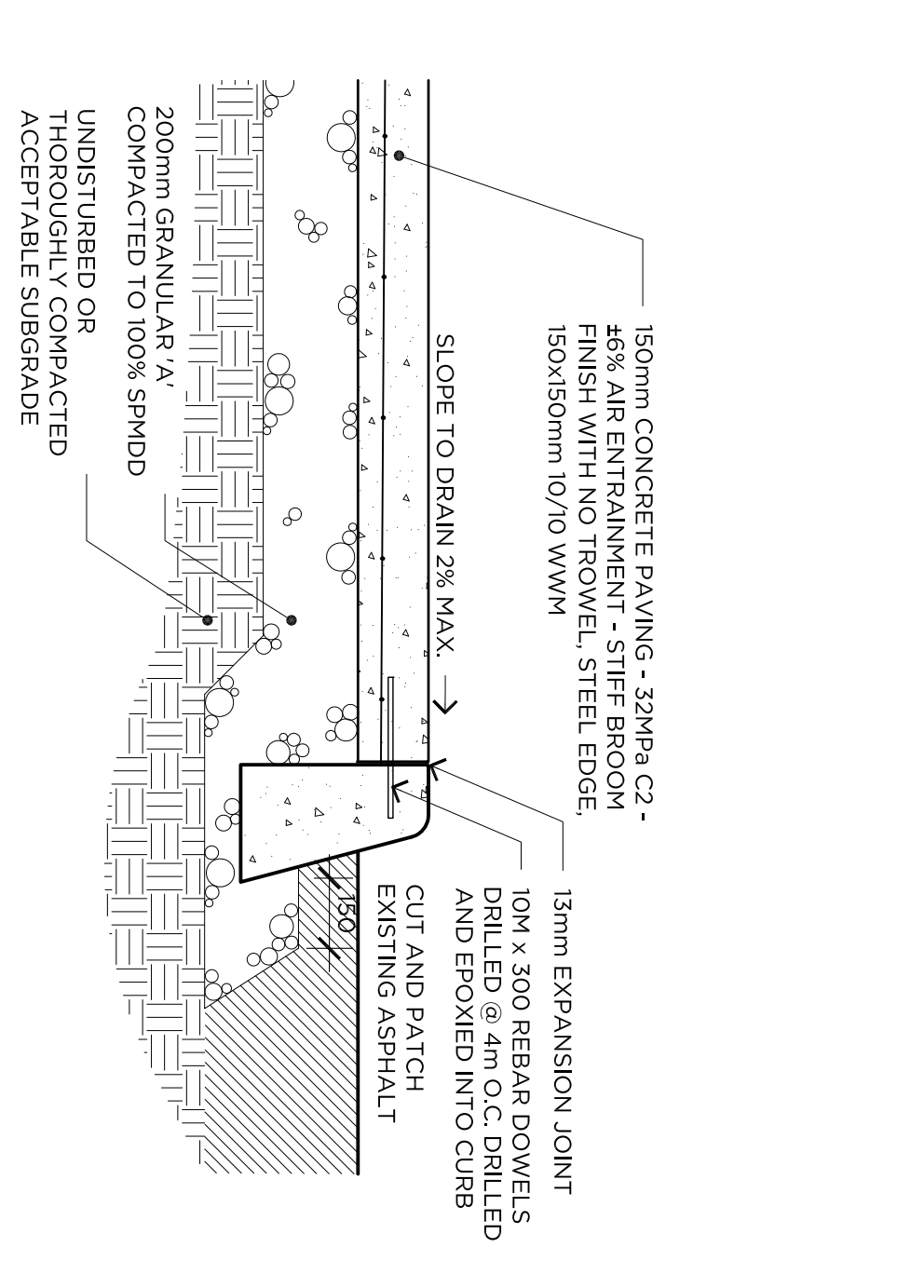
3 SHRUB PLANTING

L3-1 NTS



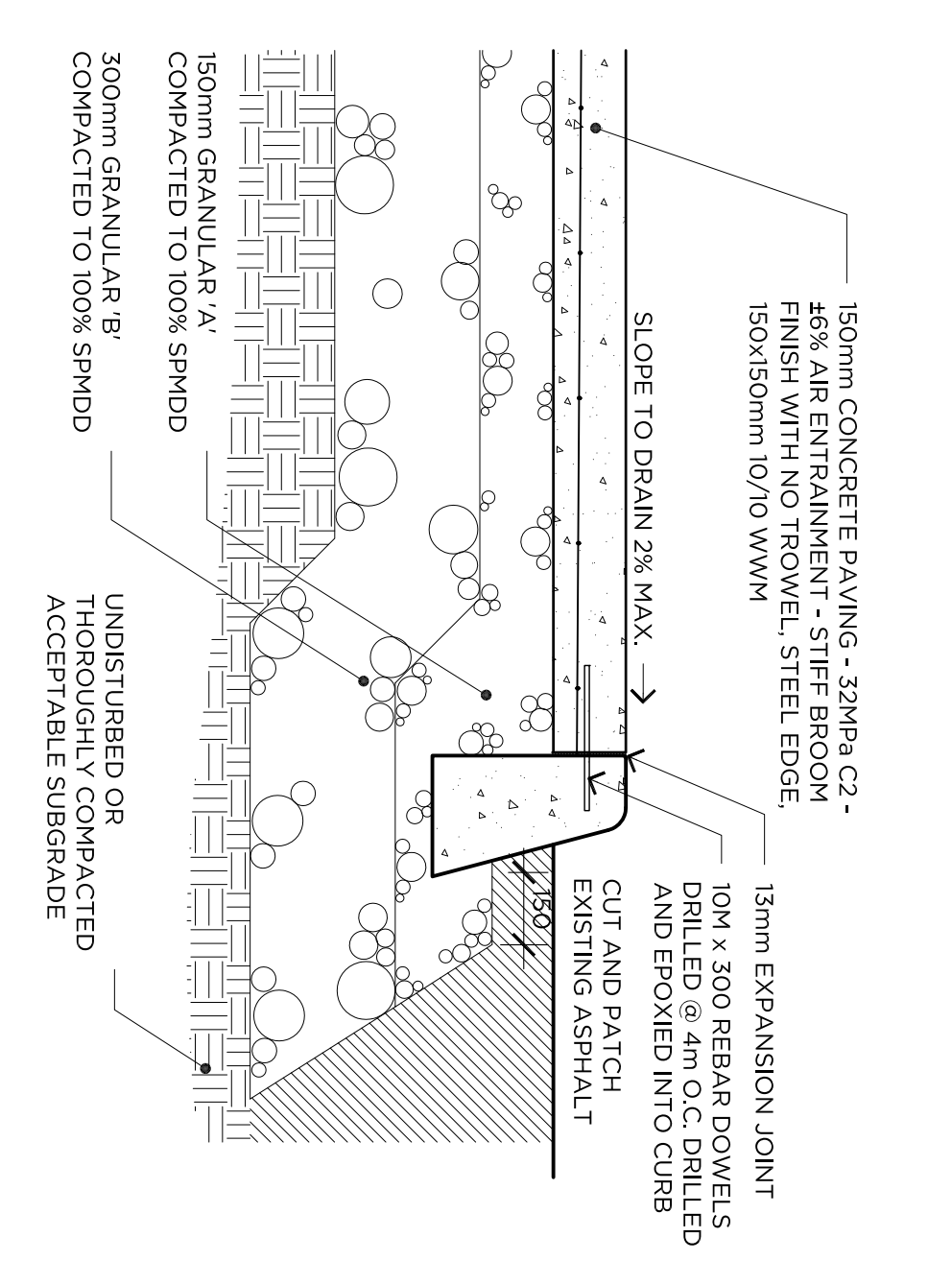
4 PERENNIAL GRASS PLANTING

L3-1 NTS



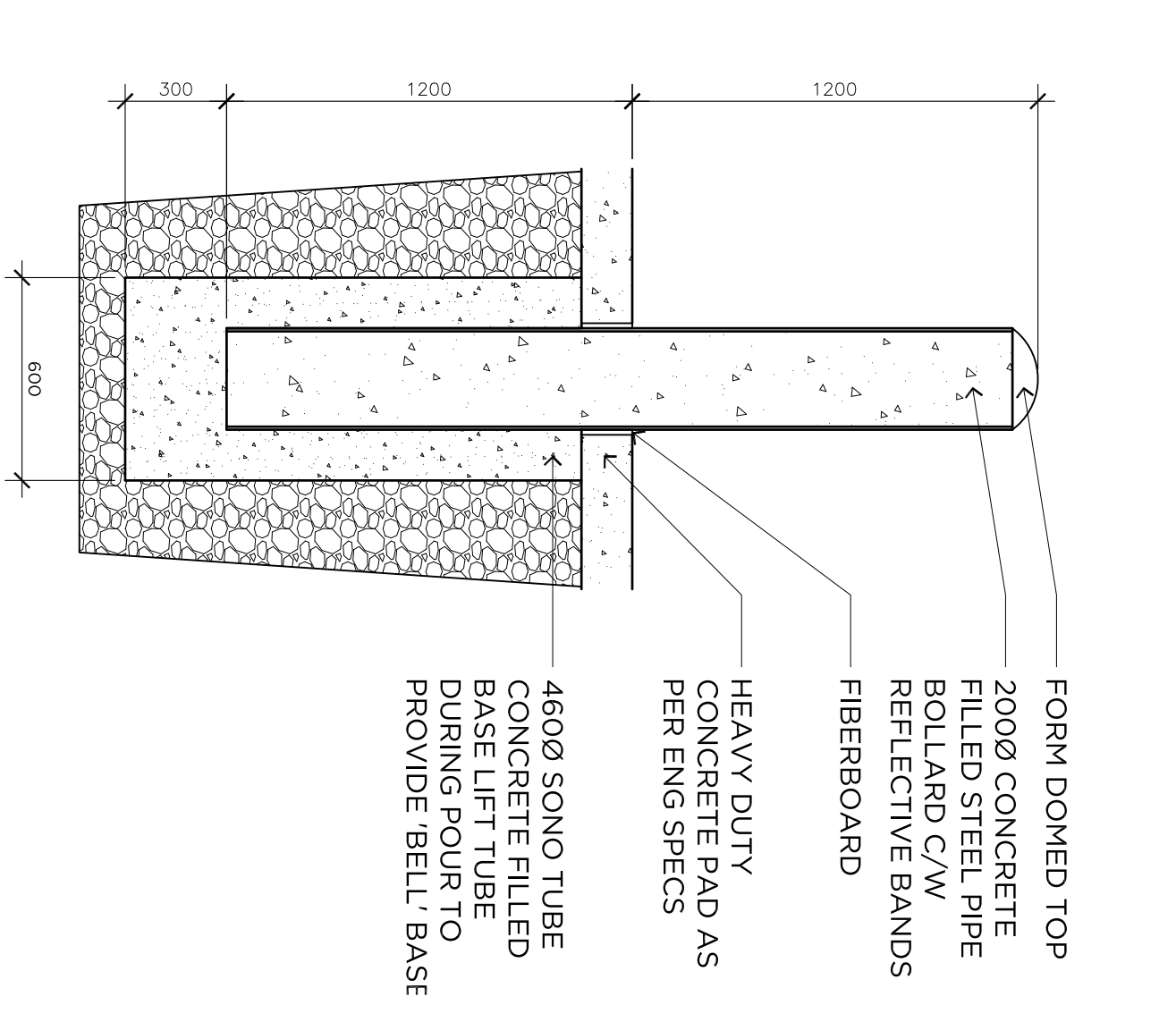
5 LIGHT DUTY CONCRETE PAVING

L3-1 NTS



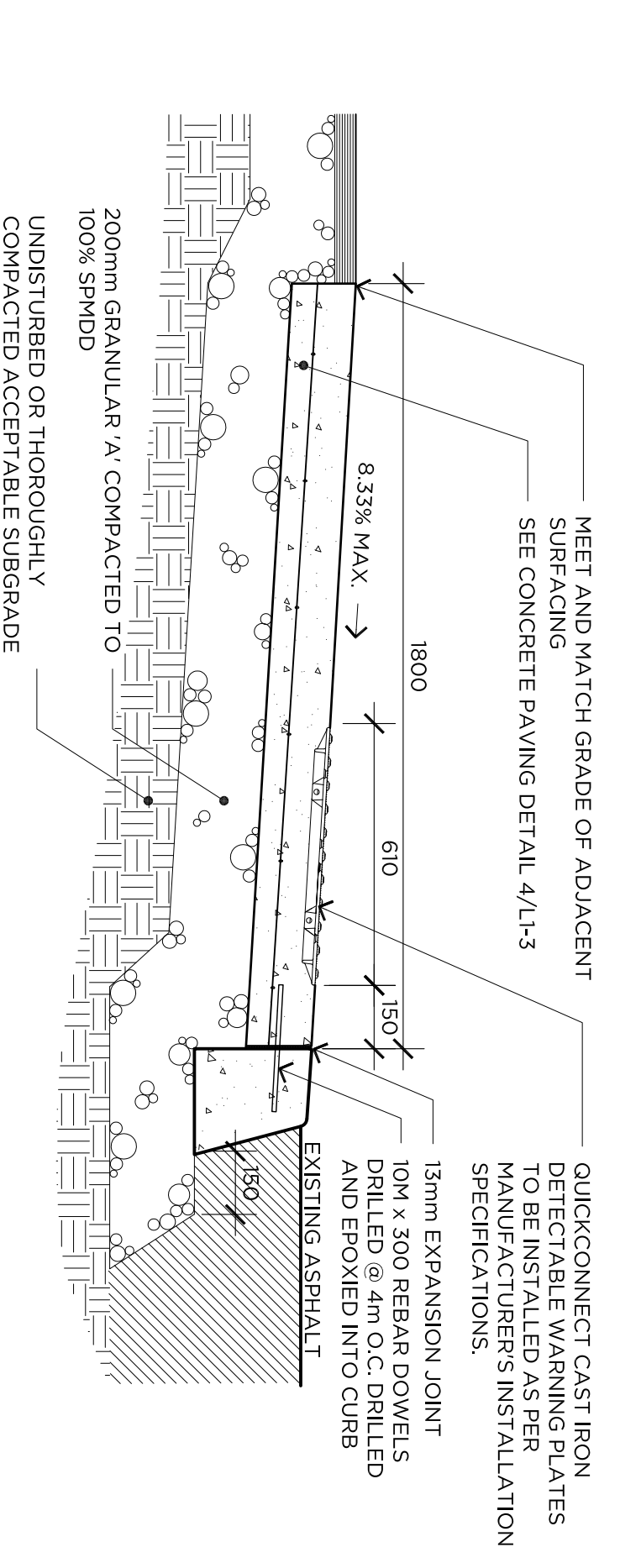
6 HEAVY DUTY CONCRETE PAVING

L3-1 NTS



4 BOLLARD

L3-1 NTS



7 DETECTABLE WARNING STRIP

L3-1 NTS

1	CLIENT REVIEW	2017.10.02	K.Z
No.	REVISION	DATE	BY

CLIENT
DYMON
SELF STORAGE



FOTENN
Planning + Design

223 McLeod Street, Ottawa ON K2P 0Z8
613.730.5709 www.fotenn.com

DESIGNED D.F./K.Z
REVIEWED D.F.
DATE 2017.10.02

L3