

CROYDON AVENUE
P. I. N. 03963 - 0001

N.T.S.
MH-5
Ld=73.78

APPROXIMATE LOCATION OF EX. 275mm⁴ SANITARY SEWER

APPROXIMATE LOCATION OF EX. 500mm⁴ STORM SEWER

APPROXIMATE LOCATION OF EX. 200mm⁴ WATERMAIN

N.T.S.
MH-5
Ld=74.08

Local Benchmark
2 Nails on Utility Pole
Elevation=74.974

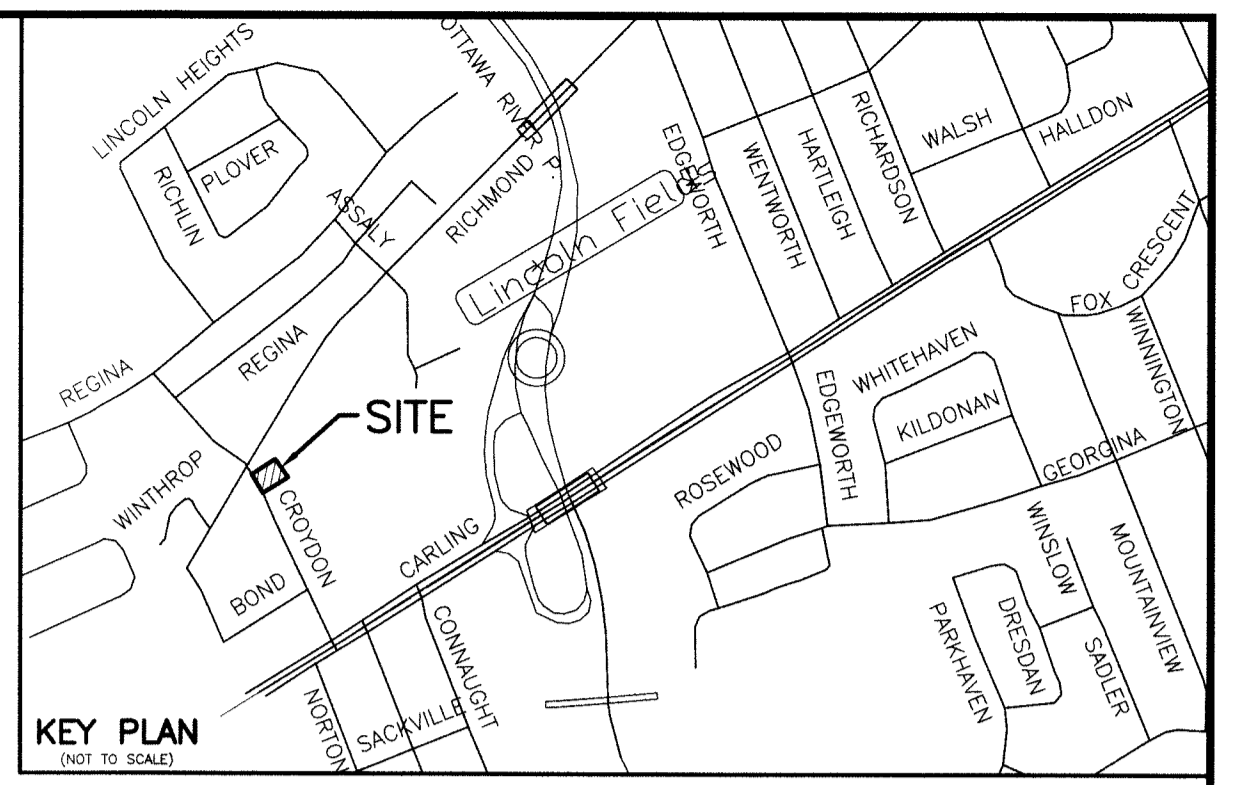
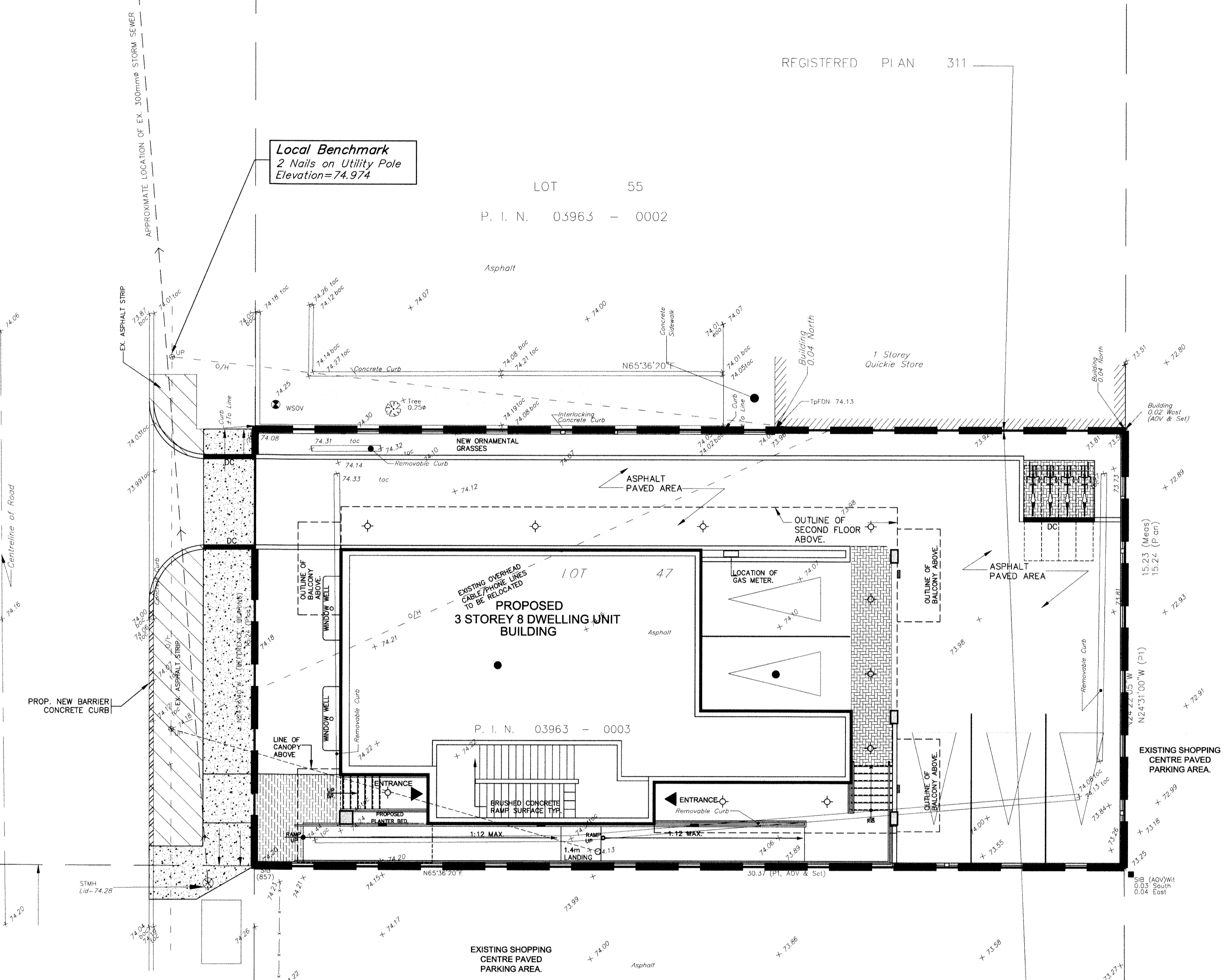
LOT 55
P. I. N. 03963 - 0002

PART 5, PLAN 4R-489
LOT 46
P. I. N. 03963 - 0004

APPROVED REFUSED
THIS ____ DAY OF _____, 20____
DERRICK MOODIE
MANAGER, DEVELOPMENT REVIEW - WEST
PLANNING, INFRASTRUCTURE & ECONOMIC
DEVELOPMENT DEPARTMENT, CITY OF OTTAWA

REGISTERED PLAN 311

REGISTERED PLAN 348

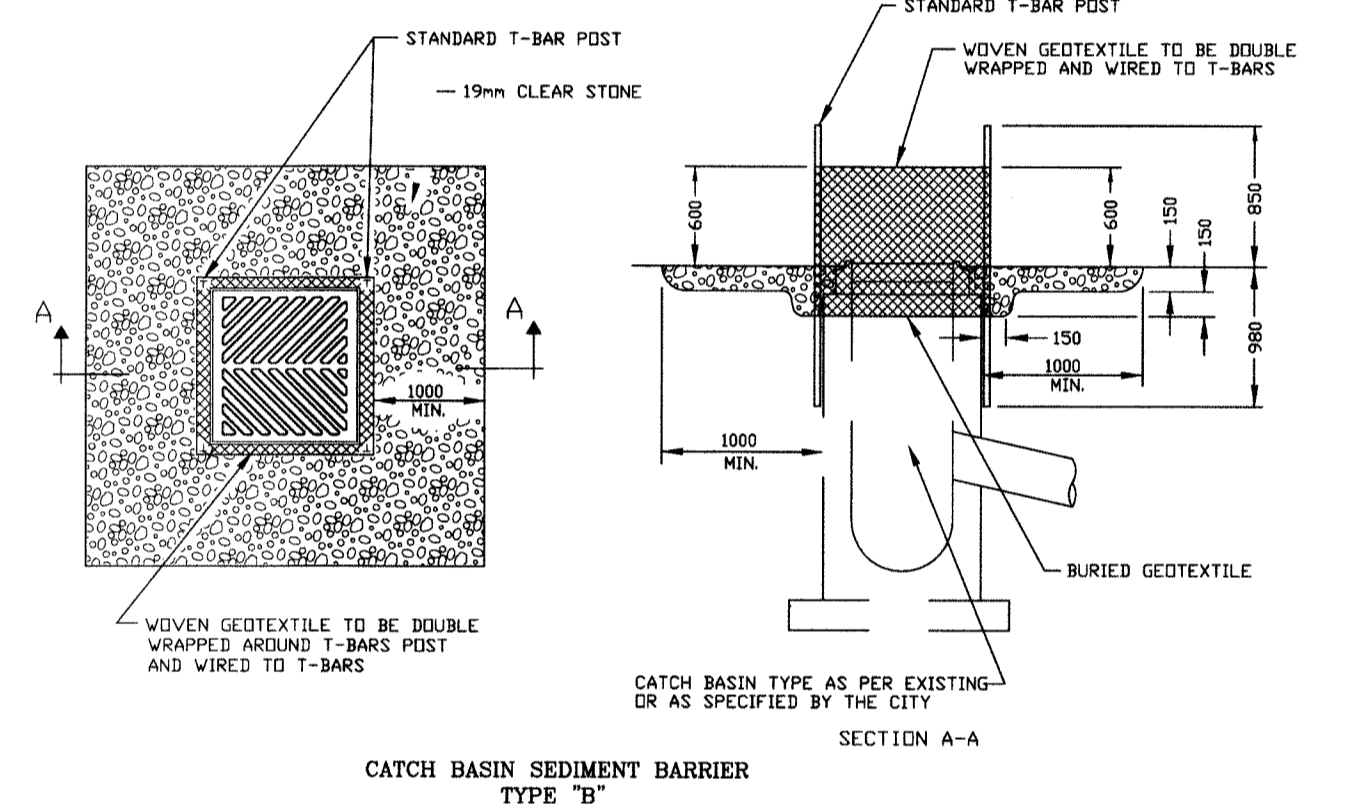
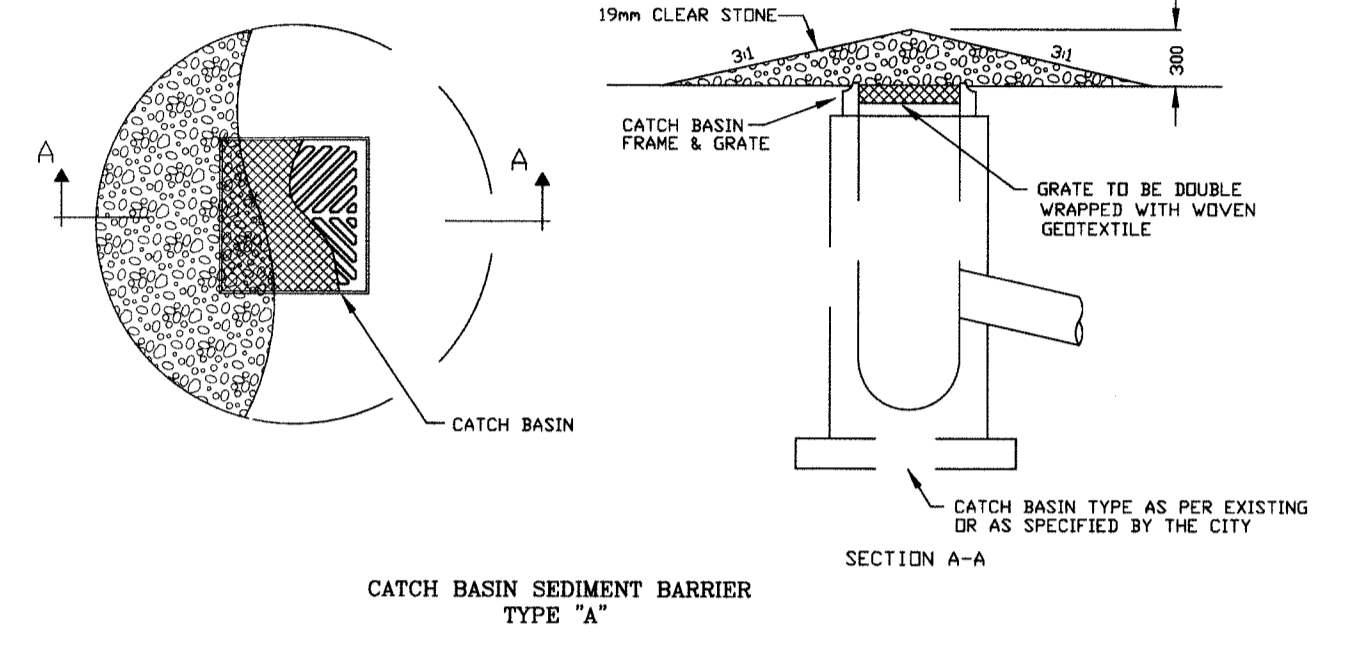


EROSION AND SEDIMENT CONTROL NOTES

- BEST MANAGEMENT PRACTICES
- EROSION AND SEDIMENT CONTROLS (BEST MANAGEMENT PRACTICES) SHALL BE PROVIDED DURING CONSTRUCTION OF THIS PROJECT. EROSION MUST BE MINIMIZED AND SEDIMENTS MUST BE REMOVED FROM CONSTRUCTION SITE RUNOFF IN ORDER TO PROTECT DOWNSTREAM AREAS. DURING ALL CONSTRUCTION, EROSION AND SEDIMENTATION SHOULD BE CONTROLLED BY THE FOLLOWING TECHNIQUES:

 1. MINIMIZE THE EXTENT OF EXPOSED SOILS.
 2. MINIMIZE THE AREA TO BE CLEARED AND GRUBBED.
 3. PROTECT EXPOSED SLOPES WITH PLASTIC OR SYNTHETIC MULCHES.
 4. INSTALL FILTER CLOTH BETWEEN FRAME AND COVER ON ALL PROPOSED CATCH BASINS AND CATCH BASIN MANHOLES AND ON ALL EXISTING CATCH BASINS THAT WILL RECEIVE RUNOFF FROM THE SITE. THE SOUTH NATION CONSERVATION AUTHORITY (SNCA) RECOMMENDS THAT GEOTEXTILE INSERTS WITH OVERLAPS BE USED INSTEAD OF THE PROPOSED FILTER CLOTH UNDER MANHOLE / CATCH BASIN COVERS DUE TO POTENTIAL FOR CLOGGING.
 5. INSTALL SILT FENCES AROUND THE PERIMETER OF STOCKPILES OF TOPSOIL TO BE USED OR REMOVED FROM SITE. (LOCATION TO BE DETERMINED).
 6. SEDIMENT CONTROL DEVICES SHALL BE INSPECTED DAILY AND CLEANED IF ANY ACCUMULATED SILT AS REQUIRED. THE DEPOSITS WILL BE DISPOSED OF AS PER THE REQUIREMENTS OF THE CONTRACT.
 7. IN SOME CASES SOME FILTER BARRIERS MAY BE REMOVED TEMPORARILY TO ACCOMMODATE CONSTRUCTION OPERATIONS. THE AFFECTED BARRIERS WILL BE REINSTATED AT NIGHT WHEN CONSTRUCTION IS COMPLETED. REMOVAL SHALL NOT OCCUR IF RUNOFF OR RAINFALL IS PREDICTED UNLESS A NEW DEVICE HAS BEEN INSTALLED TO PROTECT THE EXISTING STORM AND SANITARY SEWER SYSTEMS.
 8. NO REFUELLING OR CLEANING OF EQUIPMENT IS PERMITTED NEAR ANY EXISTING WATERWAYS.
 9. DURING THE CONSTRUCTION PERIOD, THE CONTRACTOR SHALL INSPECT, MAINTAIN AND REMOVE THE CONTROL MEASURES.
 10. THIS PROPOSED EROSION AND SEDIMENT CONTROL PLAN IS CONSIDERED BY (SNCA) A LIVING DOCUMENT WHICH MAY BE MODIFIED IN THE EVENT THE CONTROL MEASURES ARE INSUFFICIENT.

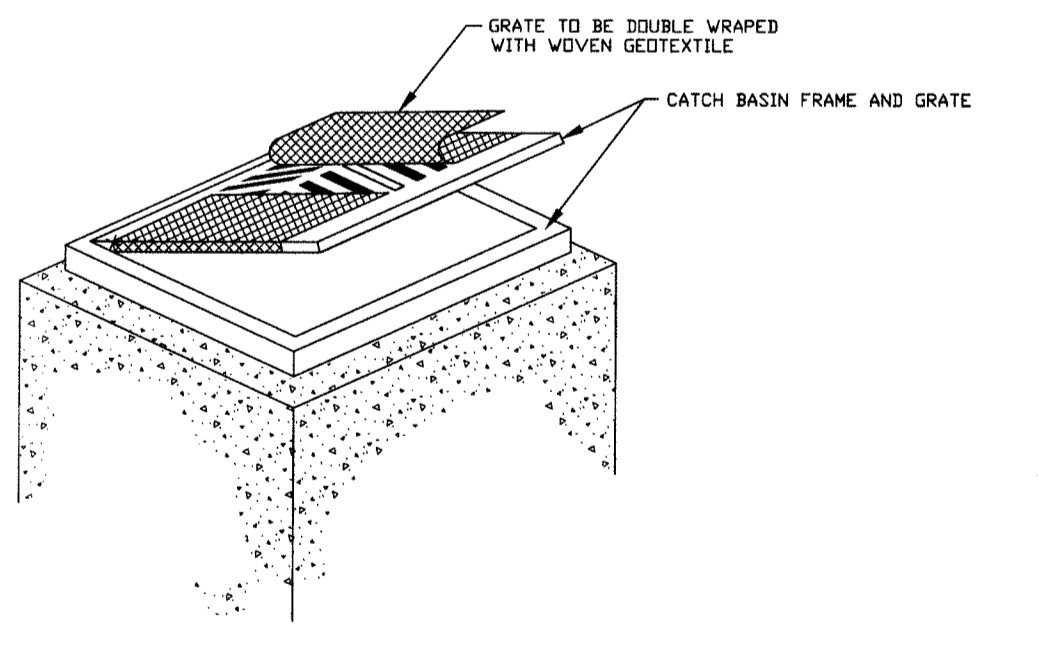
LEGEND



NOTES:

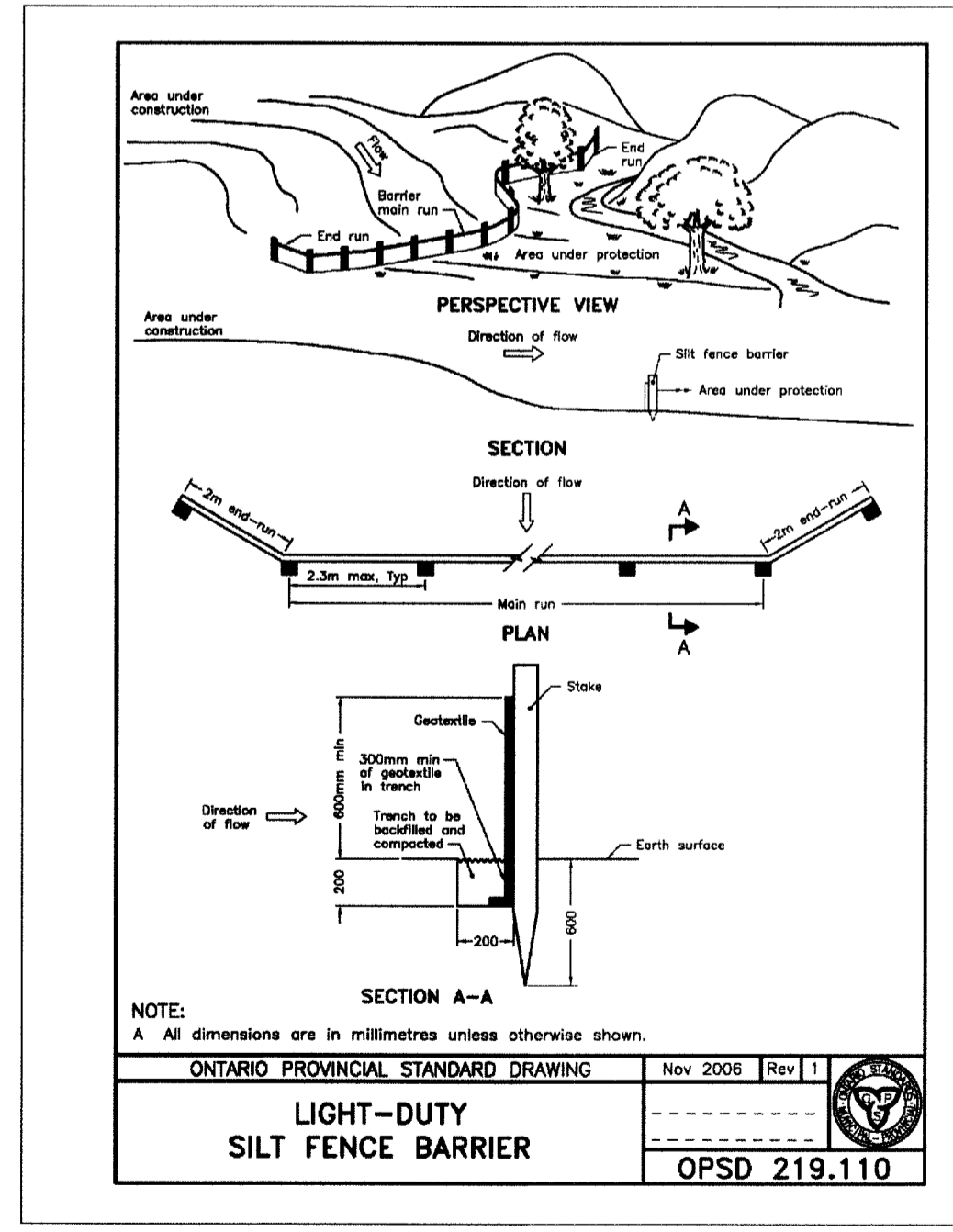
- 1) CATCH BASIN LIFT HOLES TO BE PARGED WITH CONCRETE.
- 2) WOVEN GEOTEXTILE TO HAVE A MINIMUM EQUIVALENT OPENING SIZE OF 0.15mm AND A MAXIMUM EQUIVALENT OPENING SIZE OF 0.25mm.
- 3) ALL DIMENSIONS ARE IN MILLIMETRES UNLESS OTHERWISE SHOWN.

CATCH BASIN SEDIMENT BARRIER TYPE 'A' AND 'B'



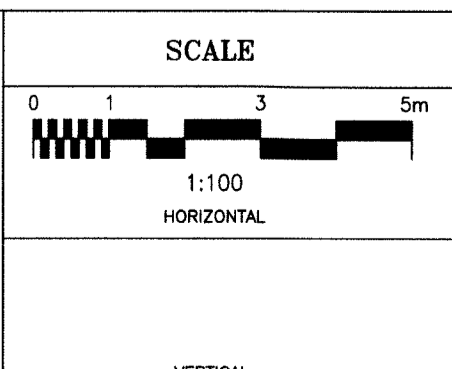
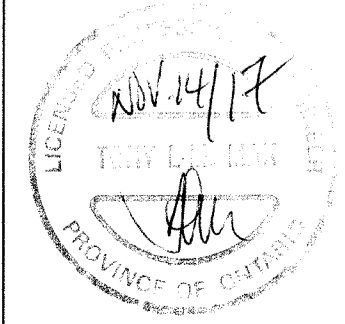
NOTES:

- 1) TO BE USED UNDER APPROPRIATE DRAINAGE CIRCUMSTANCES, DURING THE CONSTRUCTION PERIOD.
- 2) WOVEN GEOTEXTILE TO HAVE A MINIMUM EQUIVALENT OPENING SIZE OF 0.15mm AND A MAXIMUM EQUIVALENT OPENING SIZE OF 0.25mm.
- 3) WOVEN GEOTEXTILE TO BE REPLACED PERIODICALLY WHEN ACCUMULATED SEDIMENTS INTERFERE WITH DRAINAGE.
- 4) ALL DIMENSIONS ARE IN MILLIMETRES UNLESS OTHERWISE SHOWN.



NOTE:
A All dimensions are in millimetres unless otherwise shown.
ONTARIO PROVINCIAL STANDARD DRAWING Nov 2006 Rev 1
LIGHT-DUTY SILT FENCE BARRIER
OPSD 219.110

NO.	REVISION	DATE	BY
2	AS PER CITY'S REVIEW COMMENTS OF SEPTEMBER 15, 2017	11/09/17	T.L.M.
1	REVISIONS AS PER LATEST REVISED SITE PLAN OF JULY 14, 2017	07/20/17	T.L.M.



DESIGN T.L.M.
CHECKED T.L.M.
DRAWN BY G.U.
CHECKED T.L.M.
APPROVED T.L.M.

PROJECT
351 CROYDON AVE
LOT 47
REGISTERED PLAN 348
CITY OF OTTAWA
DRAWING TITLE
PROPOSED EROSION AND SEDIMENT CONTROL PLAN

T.L. MAK ENGINEERING CONSULTANTS LTD.
CONSULTING ENGINEERS

PROJECT No. 817-21 DATE MAY 2017 DRAWING No. ESC-1

PLAN # 17488

D07-12-17-0102