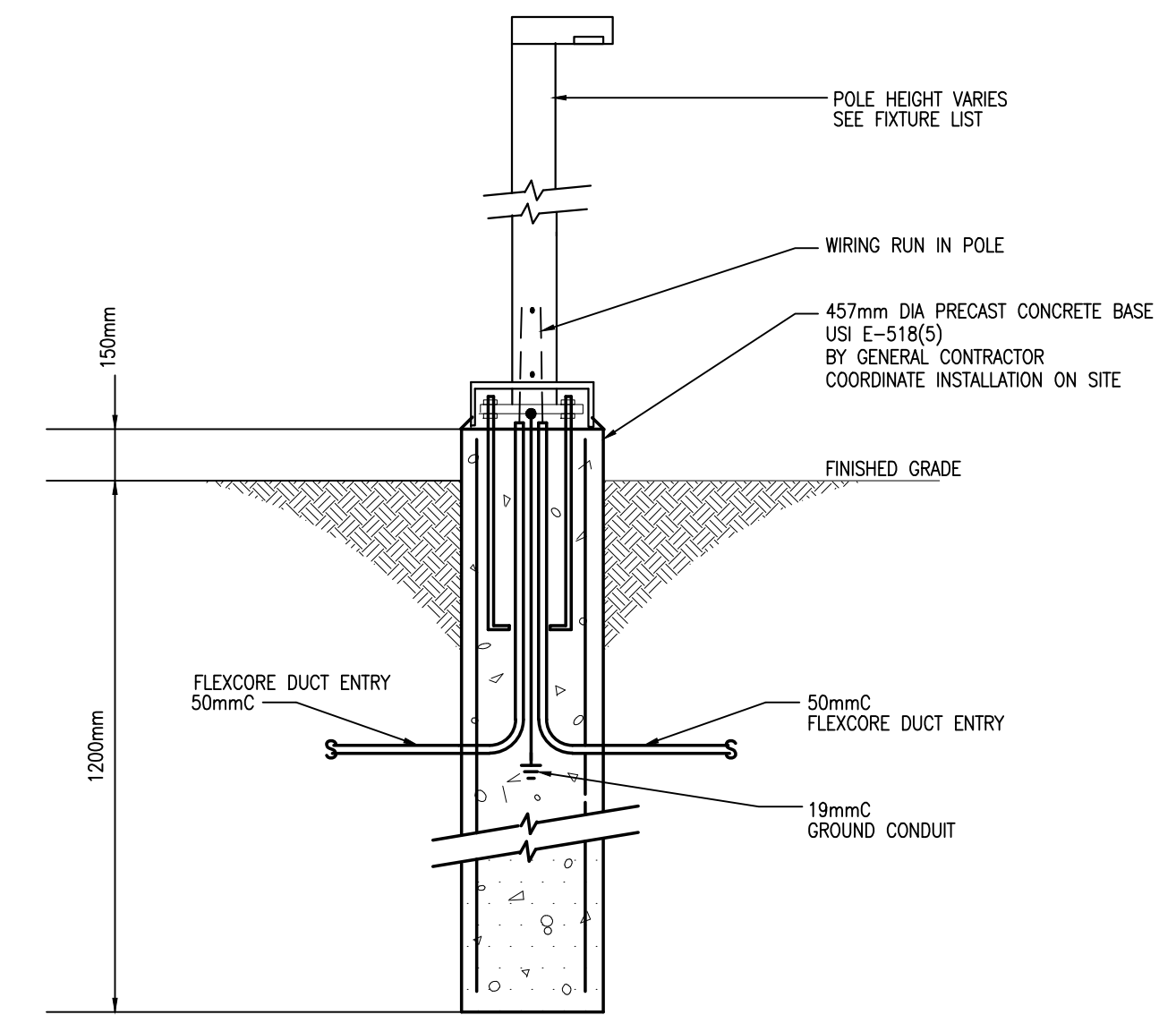


LIGHTING FIXTURE SCHEDULE						
TYPE	DESCRIPTION	CATALOG NUMBER	LAMPS PER FIXTURE			REMARKS
			TYPE	WATTS	COUNT	
A	42" BOLLARD	LUMIERE # 303-B1-LED1-4000-UNV-T4-DM10-BK	LED	8.5	4000	120 BOLLARD MOUNTING HEIGHT 42" ABOVE FINISHED GRADE
B	RECESSED IN CONCRETE LIGHT	LIGMAN # UEC-40571-23WLED-W40-120	LED	23	4000	120 RECESSED RECESSED IN CONCRETE WALL FINISH SELECT BY ARCH.
C	WALL PACK	LIGMAN # XTOR1B-W	LED	12	4000	120 WALL MOUNTING HEIGHT 4M ABOVE FINISHED GRADE
D	CANOPY LIGHT	HALO COMMERCIAL # PD610ED010+PDM6A940-61VC	LED	12	4000	120 RECESSED

NOTE:  
LIGHT FIXTURES EQUAL IN PHOTOMETRICS, LUMEN OUTPUT AND AESTHETICS ARE ACCEPTABLE

- GENERAL NOTES:**
- PROVIDE PVC/EMT TRANSITION SLEEVES BETWEEN EXTERIOR CONDUITS AND INTERIOR CONDUITS.
  - ALL UNDERGROUND WIRING SHALL BE IN PVC CONDUIT 2#8+GND-27mm.
  - ALL EXTERIOR LIGHT FIXTURES ARE CONTROLLED BY PHOTOCELL MOUNTED ON EXTERIOR WALL AT APPROPRIATE LOCATION.

ELECTRICAL LEGEND	
SYMBOL	DESCRIPTION
⊙	CEILING MOUNTED LIGHT FIXTURE (CANOPY) - TYPE AS SHOWN
⊙	WALL MOUNTED LIGHT FIXTURE - TYPE AS SHOWN
⊙	EXTERIOR BOLLARD LIGHT FIXTURE - TYPE AS SHOWN
⊙	RECESSED IN CONCRETE WALL LIGHT FIXTURE - TYPE AS SHOWN



2 BASE DETAIL FOR EXTERIOR LIGHT STANDARD  
E1 MTS

TYPICAL 42" BOLLARD AS INDICATED ON LIGHT FIXTURE SCHEDULE. SEE BASE DETAIL 2/E1.

PROPOSED PADMOUNT TRANSFORMER



DATE	REVISION	REF
2017/06/07	ISSUED FOR SITE PLAN CONTROL APPLICATION	0

THE ENGINEER WAIVES ANY AND ALL RESPONSIBILITY AND LIABILITY FOR PROBLEMS WHICH ARISE FROM FAILURE TO FOLLOW THESE PLANS, SPECIFICATIONS AND THE DESIGN INTENT THEY CONVEY, OR FOR PROBLEMS WHICH ARISE FROM OTHER FAILURE TO OBTAIN AND / OR FOLLOW THE ENGINEER'S GUIDANCE WITH RESPECT TO ANY ERRORS, OMISSIONS, INCONSISTENCIES, AMBIGUITIES OR CONFLICTS WHICH ARE ALLEGED.

THIS DRAWING IS THE PROPERTY OF GOODKEY WEEDMARK & ASSOCIATES LIMITED AND ALL COPYRIGHTS ARE RESERVED. NO USE OF THIS DRAWING MAY BE MADE WITHOUT EXPRESS WRITTEN CONSENT.

DO NOT SCALE DRAWINGS.

L'INGÉNIEUR DÉCLINE TOUTE RESPONSABILITÉ DÉCOULANT DE PROBLÈMES FAISANT SUITE AU NON RESPECT DES PLANS, DEVIS ET DE L'INTENTION DU CONCEPT OU/LES INDIQUENT OU DE TOUTS LES PROBLÈMES POUVANT RÉSULTER DU DÉFAUT D'OBTENIR ET / OU DE SUIVRE LES CONSEILS DE L'INGÉNIEUR EN CE QUI CONCERNE LES ERREURS, OMISSIONS, INCONSISTANCES, AMBIGUITÉS OU CONFLITS ALLÉGUÉS.

CE DESSIN EST LA PROPRIÉTÉ LITTÉRAIRE DE GOODKEY WEEDMARK & ASSOCIATES LIMITED ET TOUTS LES DROITS SONT RÉSERVÉS. L'UTILISATION EST INTERDITE SANS LE CONSENTEMENT ÉCRIT DE L'AUTEUR.

NE PAS MESURER LES DESSINS À L'ÉCHELLE.

**Goodkey Weedmark Consulting Engineers**

GOODKEY WEEDMARK & ASSOCIATES LIMITED  
1688 Woodward Dr. Ottawa Ontario Canada K2C 3R8  
613 727-5111 Voice  
613 727-5115 Fax  
www.gwal.com Web

Project/north Seal/Scelus

LICENSED PROFESSIONAL ENGINEER  
D. B. VIAS  
16013120  
PROVINCE OF ONTARIO

Project/Projet  
**175 CARRUTHERS APARTMENTS**

SCOTT STREET, CARRUTHERS AVENUE, STIRLING AVENUE OTTAWA  
Drawing title/Titre du dessin  
**ELECTRICAL SITE PLAN**

Scale Échelle	AS NOTED	Project no./No. du projet 2017-285
Design by Conçu par	J. GUAN	Drawing/Desin
Drawn by Dessiné par	J. GUAN	<b>E1</b>
Reviewed by Examiné par	D. VIAS	
Date Date	JUNE 2017	Revision no. Acad file/Fichier: 0 Z:\2017-285\ELEC