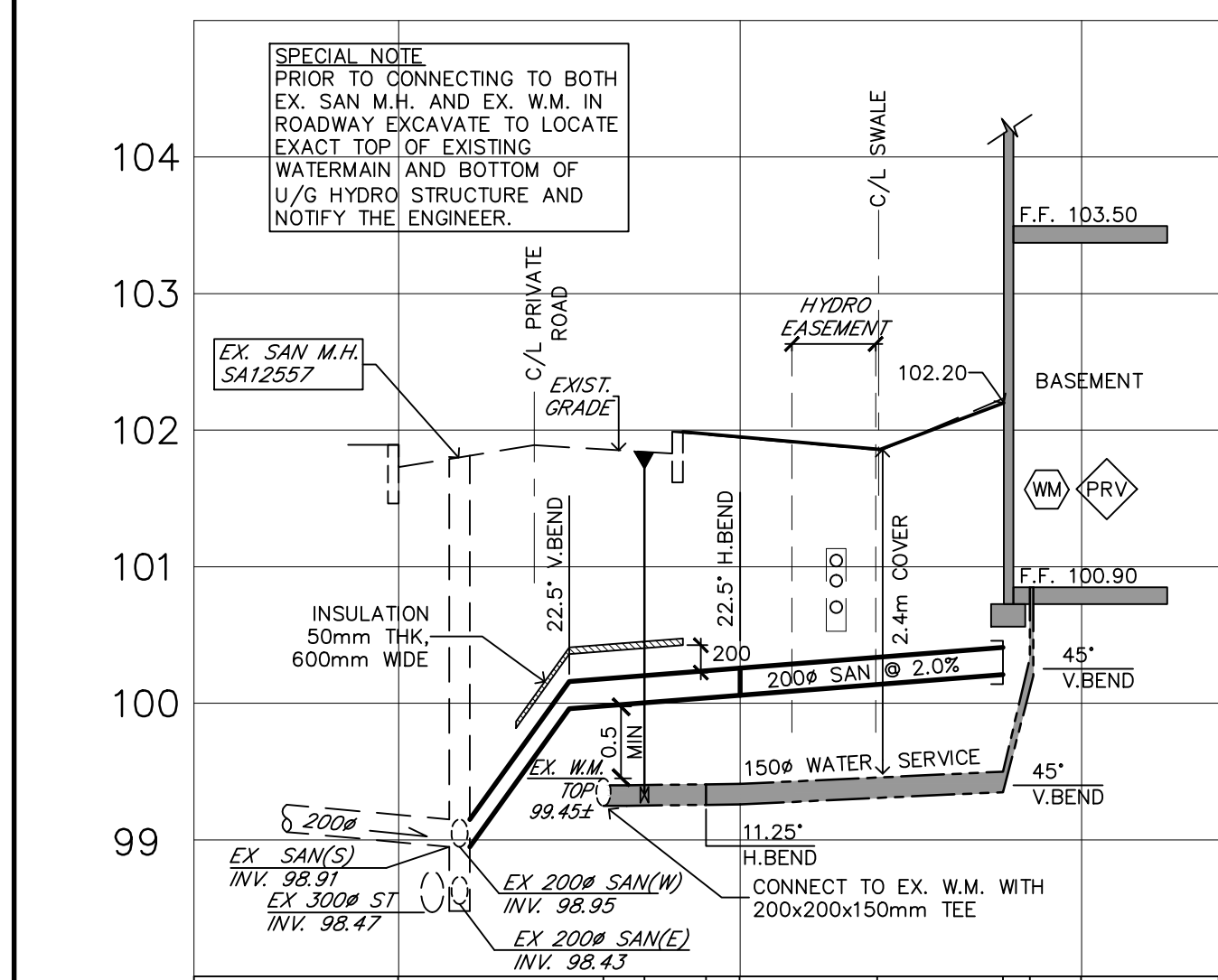
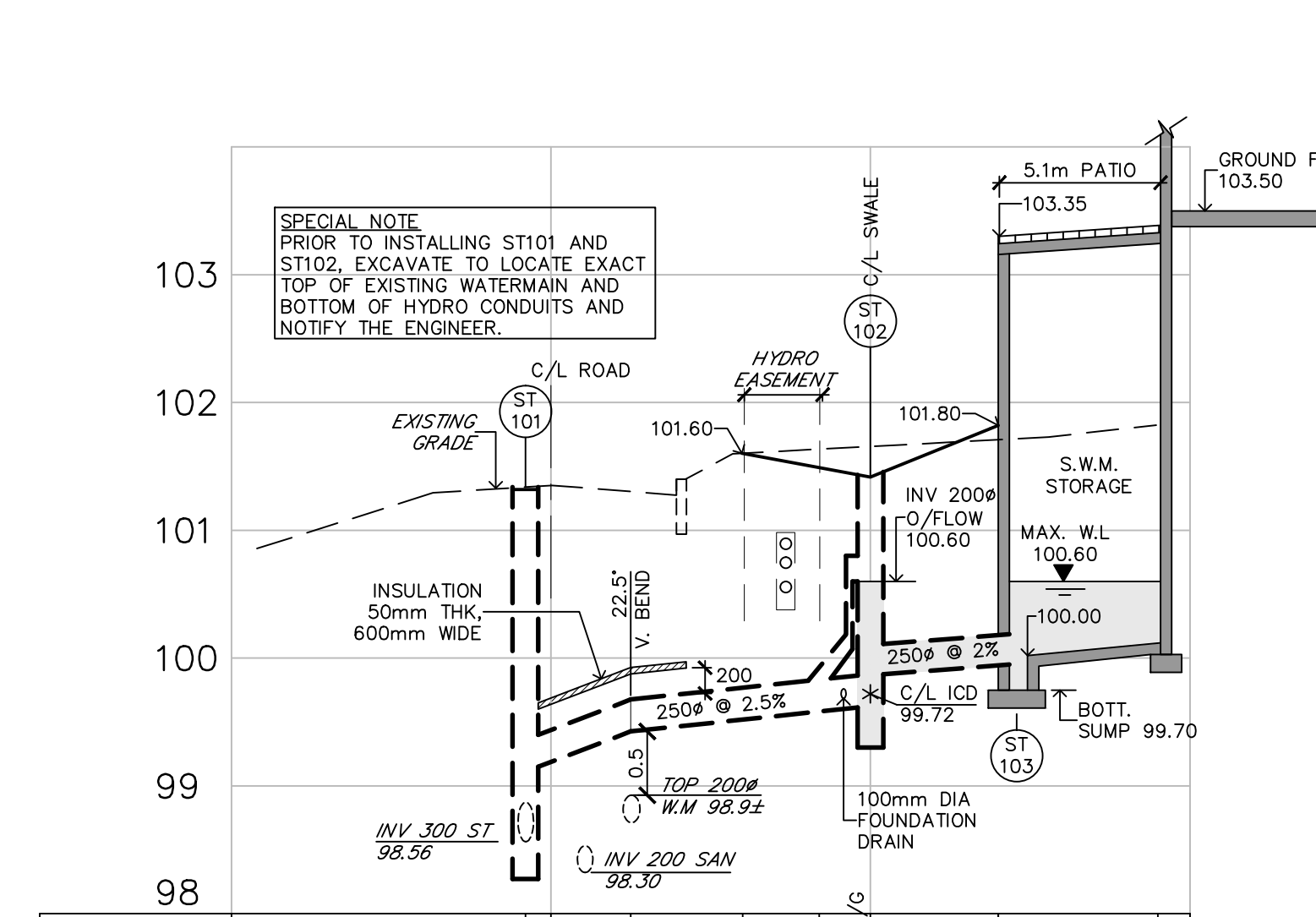


**STORM SEWER/STORAGE PROFILE**  
H 1:250 V 1:50



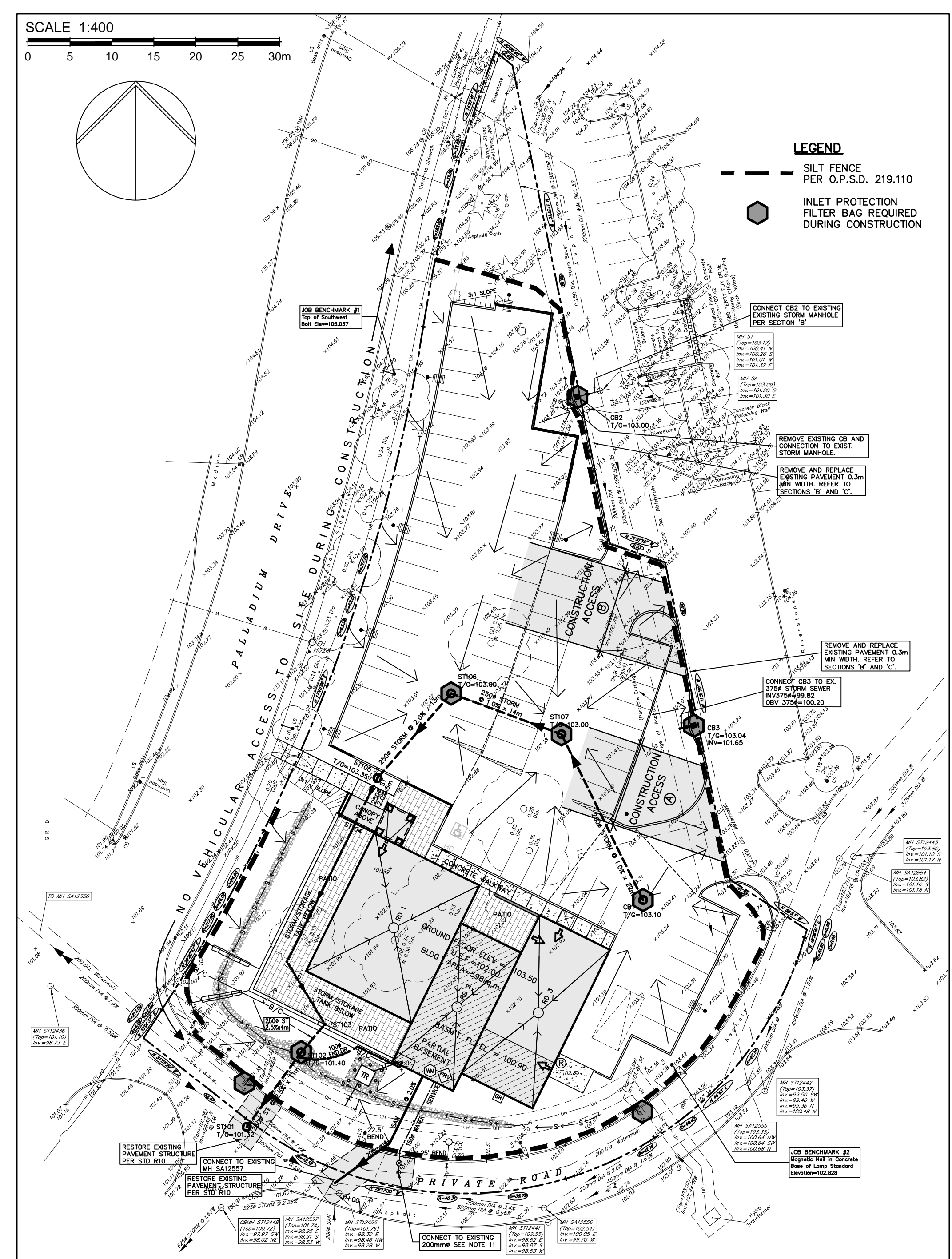
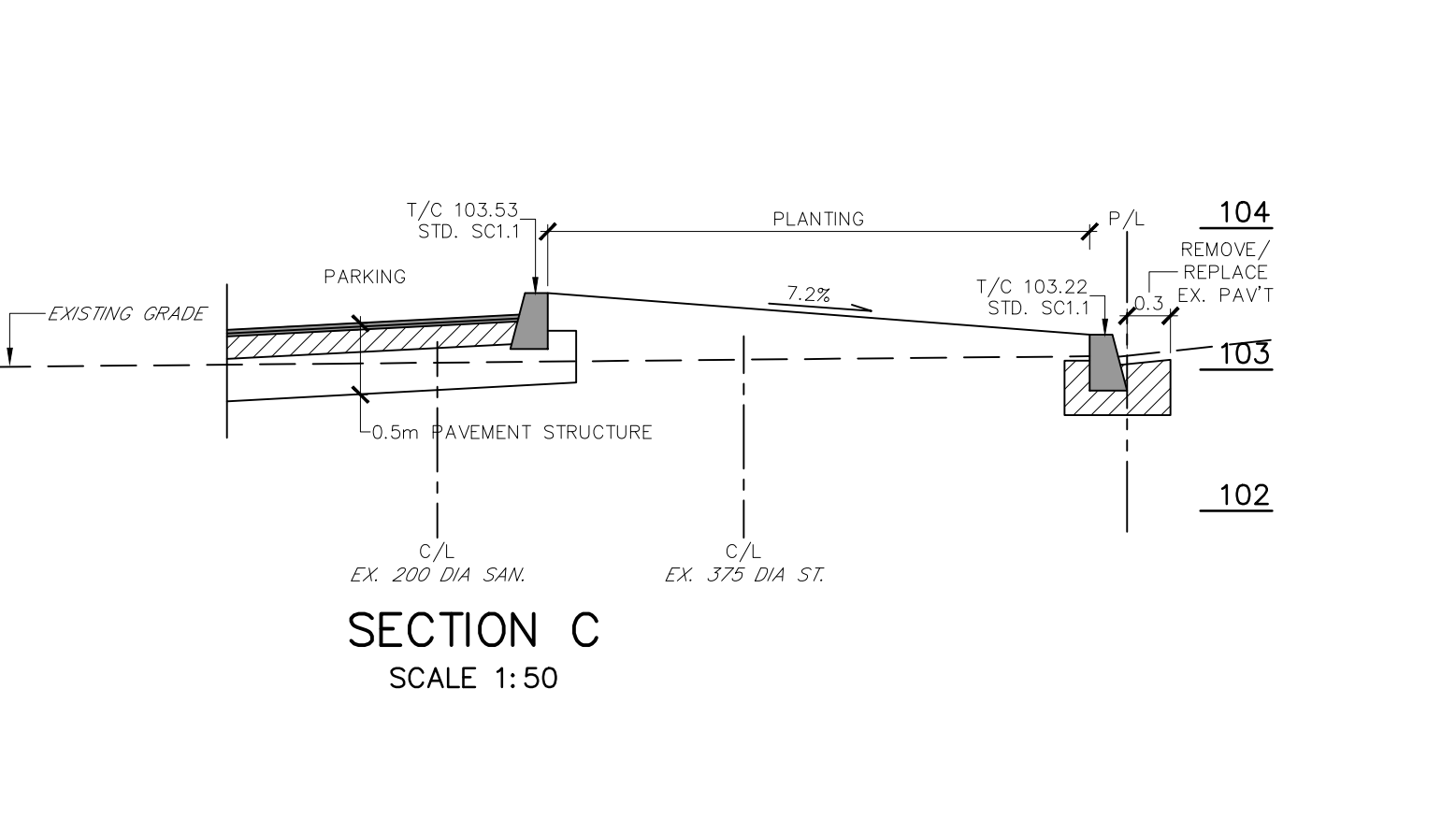
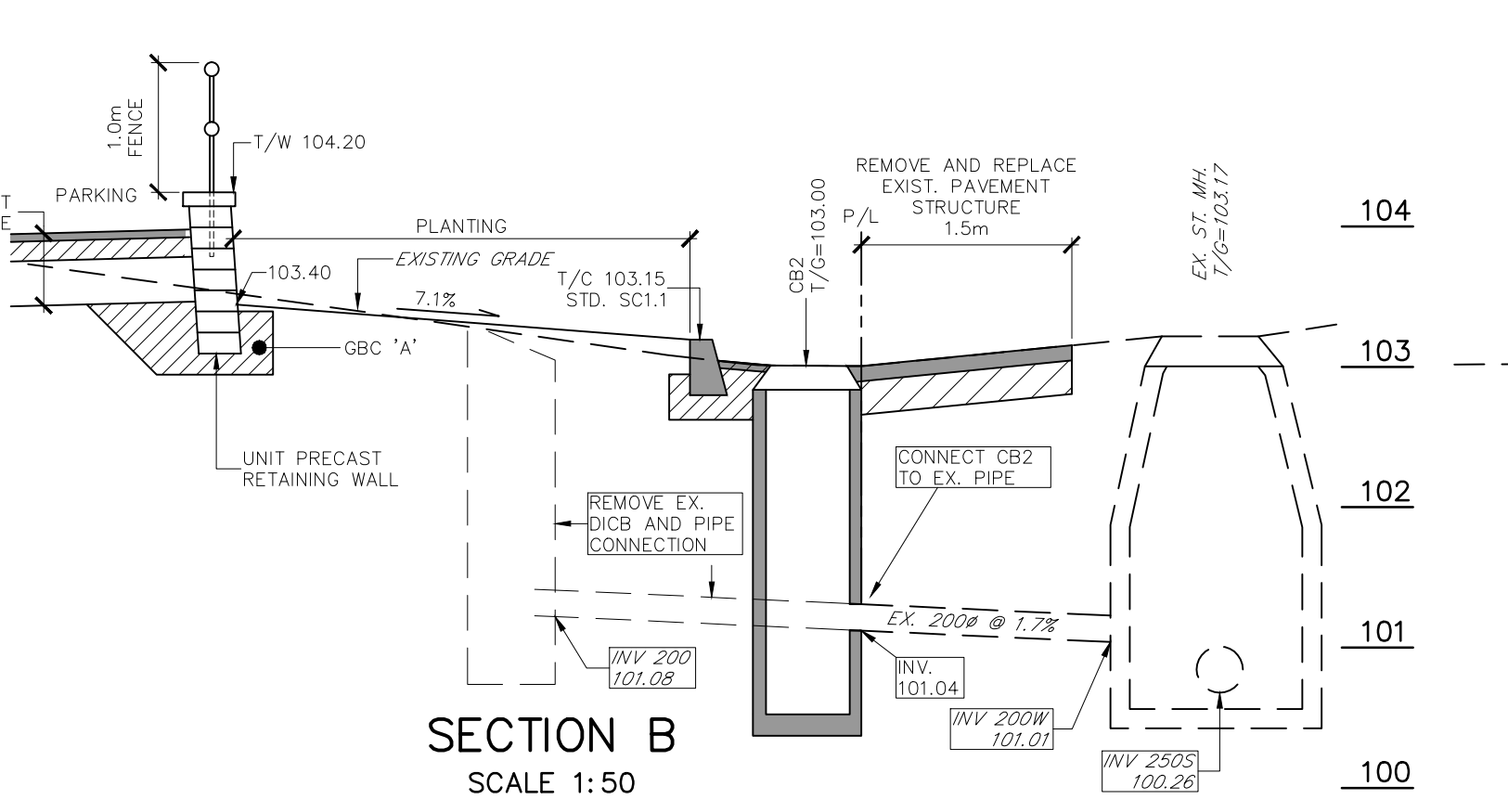
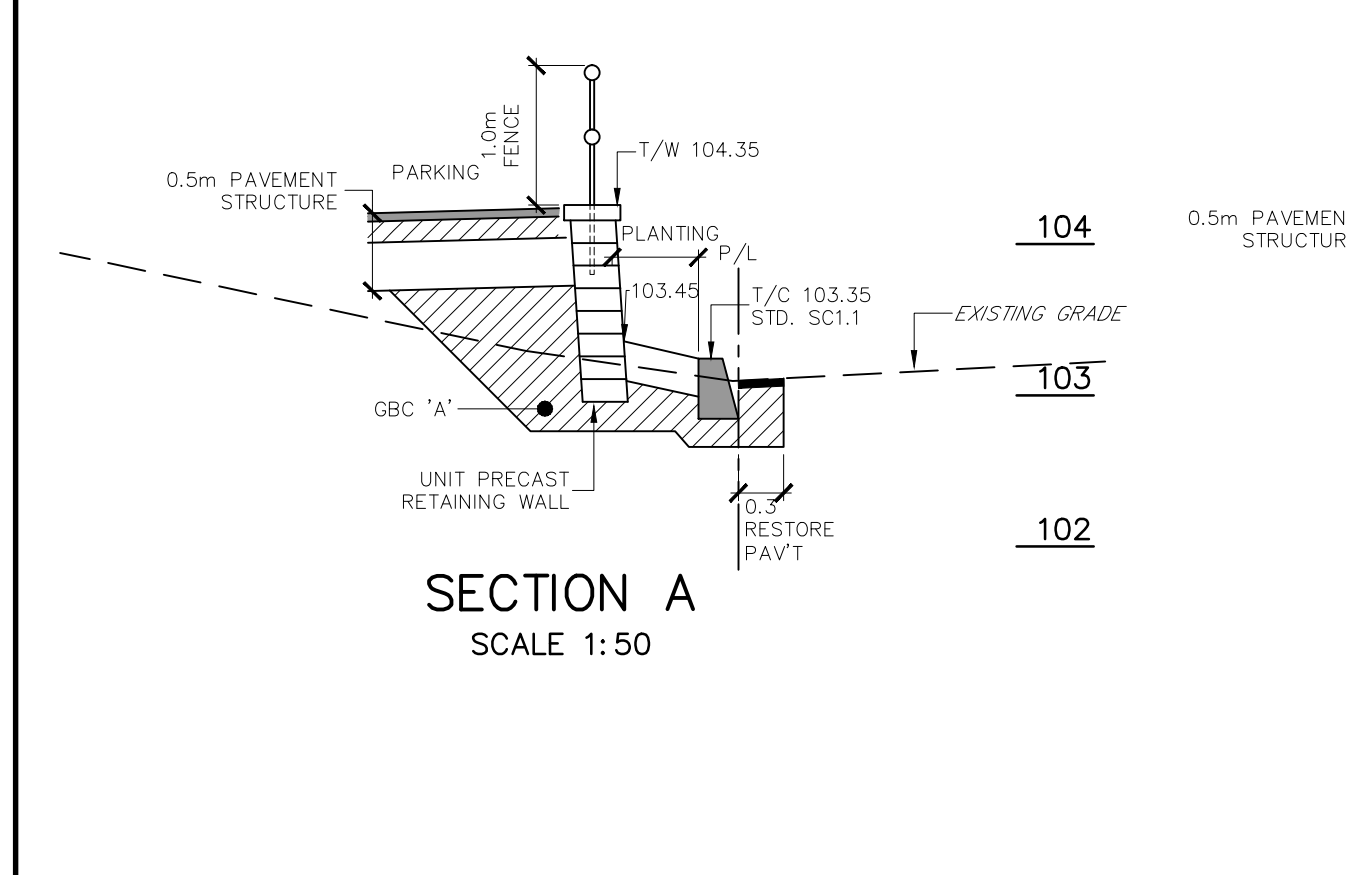
STATION	PROPOSED GRADE	EXISTING GRADE	TOP WATER SERVICE	SANITARY INVERT
0+00	101.23	101.23	99.40	100.00
+01.8	101.23	101.23	99.40	100.00
+04	101.23	101.23	99.40	100.00
+05	101.23	101.23	99.40	100.00
+06	101.23	101.23	99.40	100.00
+07.2	101.23	101.23	99.40	100.00
+09	101.23	101.23	99.40	100.00
0+10	101.23	101.23	99.40	100.00
+11	101.23	101.23	99.40	100.00
+14	101.23	101.23	99.40	100.00
+17.7	101.23	101.23	99.40	100.00
+18.5	101.23	101.23	99.40	100.00
0+20	101.23	101.23	99.40	100.00

**SANITARY AND WATER SERVICE CONNECTION PROFILE**  
H 1:200 V 1:50



STATION	PROPOSED GRADE	EXISTING GRADE	STORM INVERT
-09.5	101.32	101.32	99.15
-04	101.32	101.32	99.15
-03.8	101.32	101.32	99.15
0+00	101.32	101.32	99.15
+02.5	101.32	101.32	99.15
+03.8	101.32	101.32	99.15
+05.5	101.32	101.32	99.15
+06	101.32	101.32	99.15
+08.4	101.32	101.32	99.15
0+10	101.32	101.32	99.15
+11	101.32	101.32	99.15
+14	101.32	101.32	99.15
+16	101.32	101.32	99.15
0+20	101.32	101.32	99.15

**STORM SEWER SERVICE CONNECTION PROFILE**  
H 1:200 V 1:50



- NOTES & SPECIFICATIONS**
- 1. SEDIMENT CONTROL**  
USE BEST MANAGEMENT PRACTICE TECHNIQUES (B.M.P.'S) TO CONTROL RELEASE OF SEDIMENT AND POLLUTANTS OFF-SITE TO ADJACENT PROPERTIES AND TO CITY STREETS AND SEWERS. SUCH B.M.P.'S INCLUDE, BUT ARE NOT LIMITED TO THE FOLLOWING:  
    - INSTALL AND MAINTAIN A SILT FENCE ALONG THE NORTH, EAST AND SOUTH BOUNDARIES OF THE SITE PER O.P.S.D. 219.110 DURING THE ENTIRE CONSTRUCTION PHASE OF THIS PROJECT.
    - INSTALL AND MAINTAIN APPROVED INLET PROTECTION FILTER BAGS UNDER ALL C.B. AND C.B.M.H. INLET GRATES ON SITE AND ALONG THE NORTH SIDE OF THE PRIVATE ROAD DURING THE ENTIRE CONSTRUCTION PHASE UNTIL PAVINGS AND LANDSCAPING IS COMPLETE. GEOTEXTILE FOR FILTER BAGS SHALL BE NON-WOVEN, POLYPROPYLENE, CLASS 1 PER TABLE 1 OF O.P.S.S. 1866. USE "DANDY SACK" INLET PROTECTION SYSTEM OR EQUIVALENT.
    - NO RE-FUELING, LUBRICATING OR CLEANING OF HEAVY EQUIPMENT NEAR C.B. INLETS OR TRENCHES WITH OPEN PIPES.
    - INSTALL TRUCK WASHING RAMP AND HOSE DOWN FACILITIES ON-SITE DURING EXCAVATION OPERATIONS TO REMOVE SEDIMENT FROM TRUCK TIRES AND ARRANGE FOR PERIODIC FLUSHING AND SWEEPING OF ADJACENT CITY STREETS TO REMOVE SEDIMENTS TRACKED FROM THE SITE BY TRUCK AND HEAVY EQUIPMENT.
    - GROUNDWATER PUMPING FROM OPEN EXCAVATIONS MUST BE FILTERED THROUGH SILT TRAPS.
    - MAINTAIN THE EFFICIENCY AND PERFORMANCE OF ALL INSTALLED B.M.P. DEVICES THROUGHOUT THE CONSTRUCTION PERIOD UNTIL ALL LANDSCAPE SURFACES HAVE BEEN PLACED.
    - CLEAN ALL BOUNDARY ROADWAYS ON A REGULAR, WEEKLY OR AS NEEDED BASIS USING MECHANICAL SWEEPERS TO REMOVE ALL LOOSE MATERIALS THAT MIGRATE FROM THE CONSTRUCTION ACTIVITY ON SITE.
    - FAILURE TO IMPLEMENT APPROPRIATE EROSION AND SEDIMENT CONTROL MEASURES MAY BE SUBJECT TO PENALTIES IMPOSED BY ANY REGULATORY AGENCIES.
  - 2. SITE ACCESS DURING CONSTRUCTION**  
    - NO CONSTRUCTION VEHICLE ACCESS IS PERMITTED ONTO THE CONSTRUCTION SITE FROM PALLADIUM DRIVE OR FROM THE PRIVATE ROAD ALONG THE SOUTH SITE BOUNDARY.
    - ALL VEHICLE ACCESS SHALL BE LIMITED TO THE 2 LOCATIONS INDICATED ON THE SEDIMENT CONTROL PLAN.
    - THE 2 DESIGNATED LOCATIONS ARE FOR ALTERNATIVE USE ONLY WITH THE UNUSED LOCATION TO BE CLOSED BY FENCING AND WITH SILT CURTAIN KEPT IN PLACE.

SCALE 1:400

0 5 10 15 20 25 30m

**LEGEND**  
 - - - SILT FENCE PER O.P.S.D. 219.110  
 [Symbol] INLET PROTECTION FILTER BAG REQUIRED DURING CONSTRUCTION

APPROVED  REFUSED   
 THIS \_\_\_ DAY OF \_\_\_, 20\_\_

DERRICK MOODIE, ACTING MANAGER  
 DEVELOPMENT REVIEW, SUBURBAN SERVICES

**CAUTION:**  
 THE EXACT LOCATION OF UNDERGROUND AND OVERHEAD UTILITIES IS APPROXIMATE ONLY AND MAY BE INCOMPLETE. THE CONTRACTOR IS RESPONSIBLE TO CONTACT ALL MUNICIPAL AUTHORITIES AND UTILITY COMPANIES TO DETERMINE EXACT LOCATION OF ALL SEWERS, WATERMANS, GAS, ELECTRICAL AND COMMUNICATIONS, CABLE TV AND OTHER UNDERGROUND INSTALLATIONS. THE CONTRACTOR IS SOLELY RESPONSIBLE FOR PROTECTION AGAINST DAMAGE OF ALL EXISTING INSTALLATIONS AND IS LIABLE FOR ALL COST SHOULD DAMAGE OCCUR.

no.	date	revision
8	NOV/16	3 <sup>rd</sup> SUBMISSION SITE PLAN (DRAFT)
7	19 APR/16	2 <sup>nd</sup> SUBMISSION SITE PLAN
6	31 MAR/16	FOR CLIENT REVIEW
5	14 MAR/16	FOR CLIENT REVIEW
4	7 MAR/16	FOR CLIENT REVIEW
3	4 MAR/16	CLIENT REVIEW
2	29 OCT/15	SITE PLAN APPLICATION
1	19 OCT/15	FOR CLIENT REVIEW
0	11 SEPT/15	FOR CLIENT REVIEW

**ERION ASSOCIATES**  
 consulting civil engineers

1 beckwith st. east  
 perth, on, k7h 1b2  
 613-267-1693  
 erion@sympatico.ca

owner  
 301 PALLADIUM LTD.  
 4015 CARLING AVENUE, SUITE 201  
 KANATA, ON, K2K 2A3

project  
**PROPOSED COMMERCIAL BUILDING**  
 301 PALLADIUM DRIVE  
 KANATA ONTARIO

drawing title  
**PROFILES AND SEDIMENT CONTROL**

drawn  
**MarCAD**

date  
 SEPT 2015

scale  
 AS NOTED

project  
 EA 14-288

drawing no.  
**PRSC-2**

revision no. 8



D07-12-15-0147