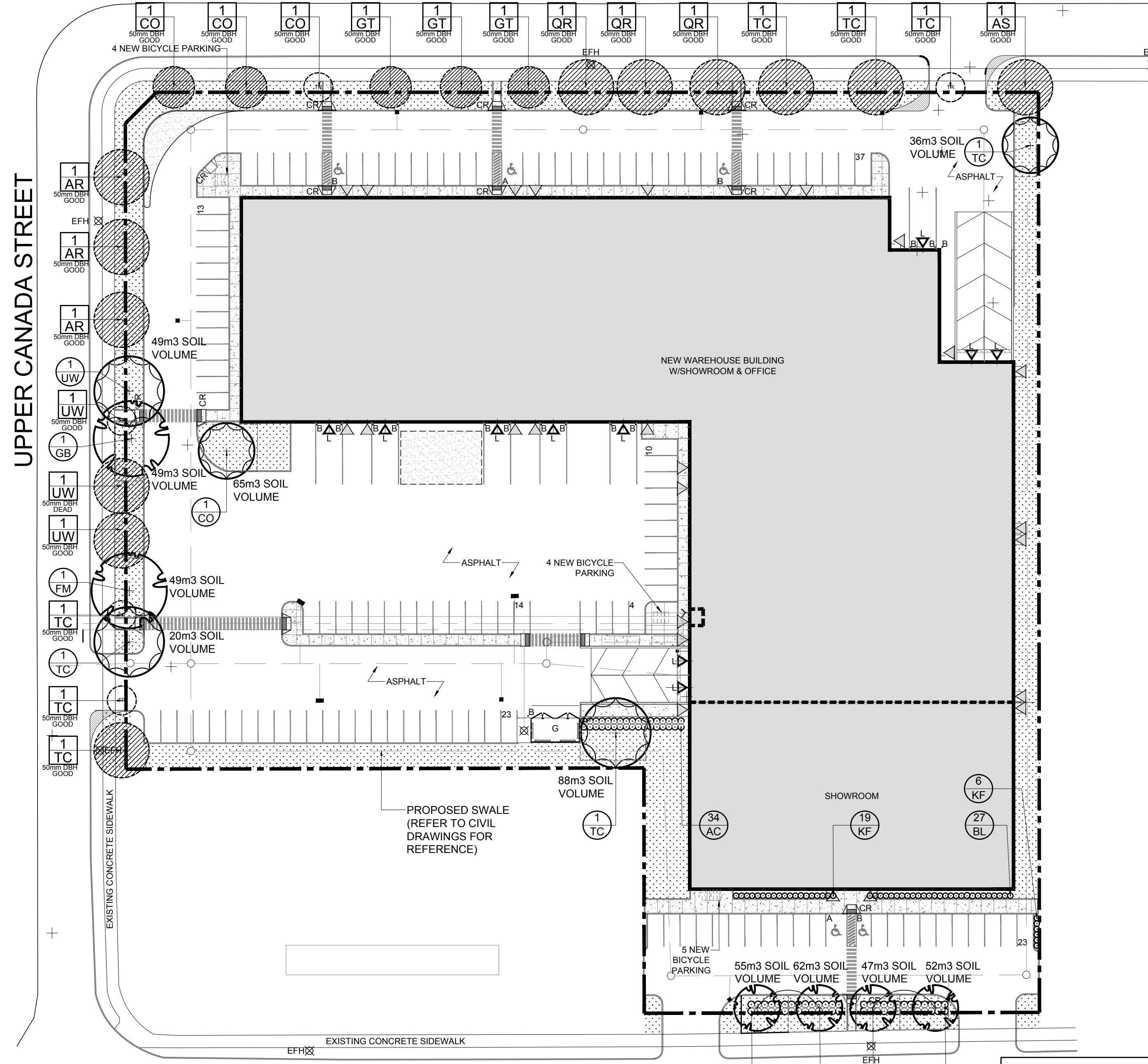
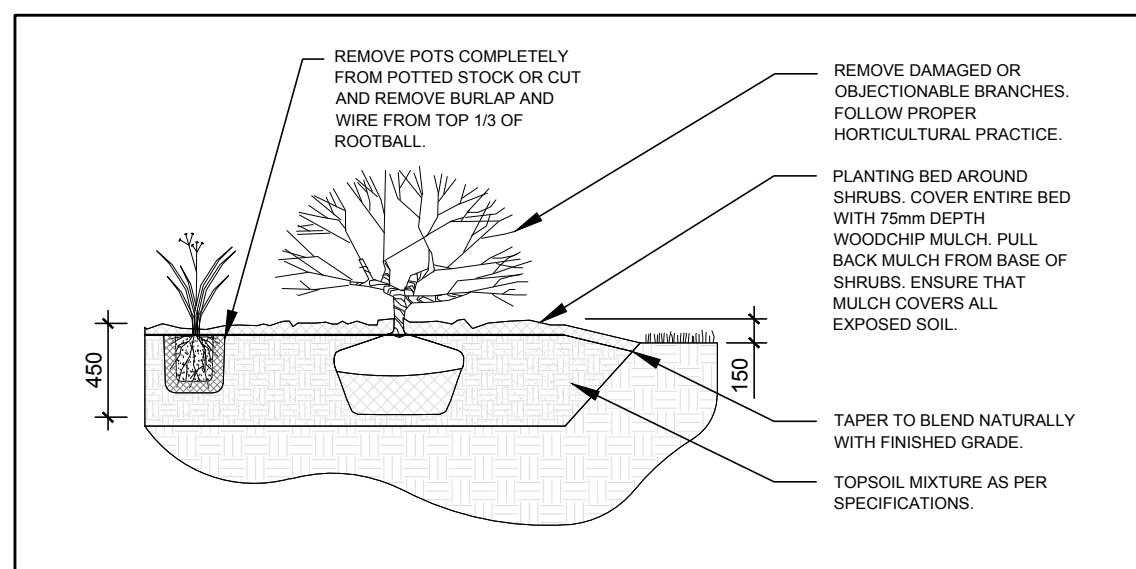


UPPER CANADA STREET

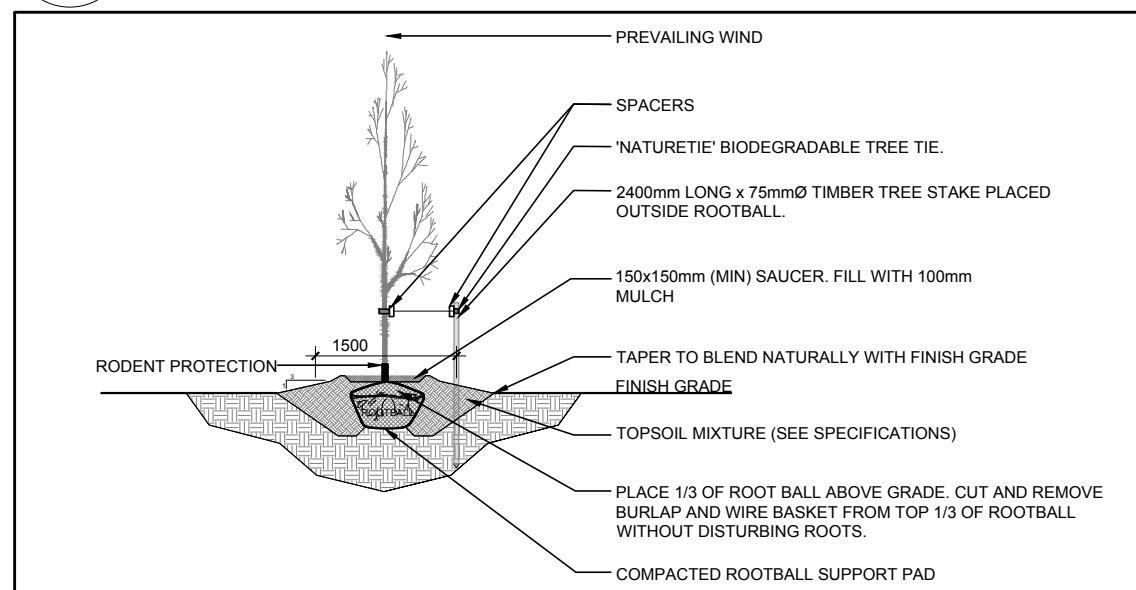


CAMPEAU DRIVE

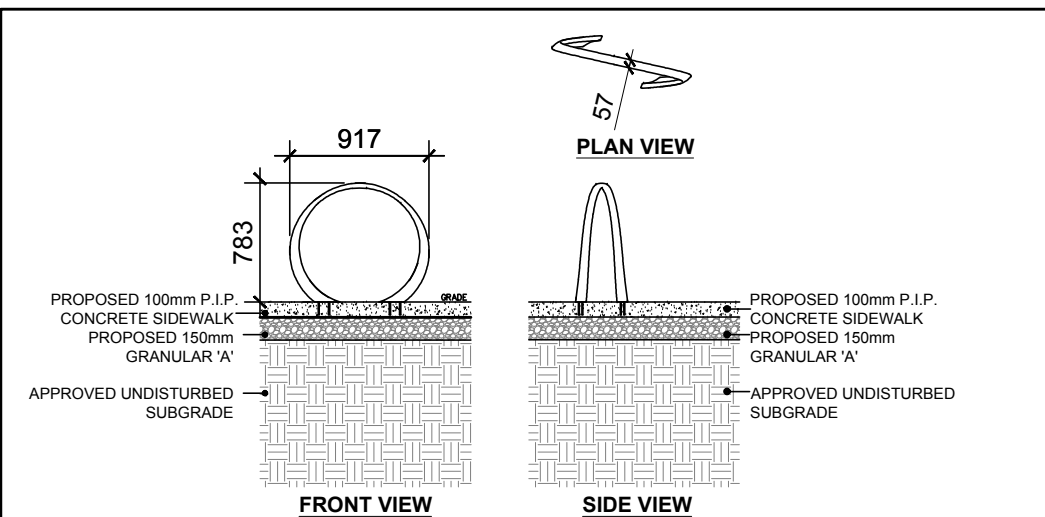
1 LANDSCAPE PLAN
SCALE: 1:500



2 SHRUB / ORNAMENTAL GRASS PLANTING
SCALE: NTS



3 DECIDUOUS TREE PLANTING
SCALE: NTS



NOTES:
1. *S COLLECTION - LOOP BIKE RACK IS AVAILABLE FROM WWW.LANDSCAPEFORMS.COM* OR APPROVED EQUAL INSTALL AS PER MANUFACTURER'S SPECIFICATIONS FOR 'EMBEDDED MOUNT'.
2. INSTALL 1000mm ON-CENTRE 1000mm FROM BUILDING OR PATHWAY.
3. COLOUR TO BE SELECTED FROM A STANDARD RANGE OF COLOURS.

4 PROPOSED LOOP BIKE RACK
SCALE: NTS

KEY	QTY	BOTANICAL NAME	COMMON NAME	SIZE	CONDITION	REMARKS	OWNERSHIP	NATIVE
TREES								
FM	1	Acer x freemanii	Freeman's Maple	60mm cal.	B&B		1485 Upper Canada St.	YES
GB	1	Ginkgo biloba	Maidenhair Tree	60mm cal.	B&B	Male tree	1485 Upper Canada St.	NO
HB	2	Celtis occidentalis	Hackberry	60mm cal.	B&B		1485 Upper Canada St.	YES
HL	2	Gleditsia triacanthos	Honey Locust	60mm cal.	B&B		1485 Upper Canada St.	YES
JL	2	Syringa reticulata	Japanese Tree Lilac	60mm cal.	B&B	Single leader	1485 Upper Canada St.	NO
HA	3	Crataegus crus-galli var. inermis	Thornless Hawthorn	60mm cal.	B&B		1485 Upper Canada St.	NO
PE	2	Ulmus wilsoniana 'Prospector'	Prospector Elm	60mm cal.	B&B		1485 Upper Canada St.	NO
SB	2	Amelanchier canadensis	Serviceberry	60mm cal.	B&B	Single leader	1485 Upper Canada St.	YES
SP	3	Amelanchier laevis 'JFS-ARB'	Spring Flurry Serviceberry	60mm cal.	B&B	Single leader	1485 Upper Canada St.	YES
SHRUBS								
AC	34	Ribes alpinum	Alpine Currant	600mm ht.	Potted	1000 mm o.c.	1485 Upper Canada St.	NO
RR	26	Rosa rugosa	Rugosa Rose	800mm ht.	Potted	1000 mm o.c.	1485 Upper Canada St.	NO
SF	28	Sorbaria sorbifolia 'Sem'	Sem False Spiraea	600mm ht.	Potted	800 mm o.c.	1485 Upper Canada St.	NO
ORNAMENTAL GRASSES								
BL	27	Leymus arenarius 'Blue Dune'	Blue Lyme Grass	250mm pot	Potted	800 mm o.c.	1485 Upper Canada St.	NO
KF	25	Calamagrostis 'Karl Foerster'	Feather Reed Grass	250mm pot	Potted	800 mm o.c.	1485 Upper Canada St.	NO

KEY	QTY	BOTANICAL NAME	COMMON NAME	SIZE	CONDITION	REMARKS
TREES						
AS	1	Acer saccharum	Sugar Maple	50mm DBH	Good	To remain
AR	3	Acer rubrum	Red Maple	50mm DBH	Good	To remain
CO	3	Celtis occidentalis	Hackberry	50mm DBH	Good	*
GT	3	Gleditsia triacanthos	Honey Locust	50mm DBH	Good	To remain
QR	3	Quercus rubra	Red Oak	50mm DBH	Good	To remain
TC	6	Tilia cordata	Littleleaf Linden	50mm DBH	Good	*
UW	3	Ulmus wilsoniana 'Prospector'	Prospector Elm	50mm DBH	Good	*

* SEE PLAN - SOME TREES TO BE TRANSPLANTED OR REPLACED AT CONTRACTOR'S DISCRETION
NOTE: REMOVE ALL CORRUGATED PLASTIC PIPES FROM EXISTING TREES

- GENERAL NOTES:**
- It is the responsibility of the appropriate contractor or official to report any errors, omissions or discrepancies on this plan with actual site conditions to the Landscape Architect before proceeding with construction.
 - The contractor is to notify all utility companies and authorities prior to any excavation and ascertain locations of underground services.
 - The contractor is to reinstate all areas and items damaged as a result of construction activity.
 - The contractor is to comply with all pertinent codes and by-laws.
 - The contractor is to maintain a positive surface run-off throughout the entire construction period.
 - The Landscape Architect is not responsible for subsurface conditions.
 - The contractor is to identify all existing trees to remain on site with the Landscape Architect prior to construction.
 - The contractor is to stake the proposed location of all plant material in conjunction with the Landscape Architect prior to excavation.
 - Minimum distances for selected trees are as follows:
 - Building Foundations 7.5m
 - Sidewalks 1.5m
 - Public Streets 2.5m
 - Underground Infrastructure 2.0m
 - Watermain 2.0m
 - All trees within 1m of underground utility trenches are to be excavated by hand.
 - Remove all protective wrapping from tree trunks after installation.
 - Staking of trees shall only be performed if necessary.
 - Ensure that mulch is pulled back a min. distance of 75mm from base of tree trunk.
 - The current City of Ottawa standard and specifications have been used for this drawing.
 - To ensure that no harm is caused to breeding birds, tree removal and vegetation clearing should be avoided during the migratory bird season (April 15 - August 15) as specified by The City of Ottawa's Environmental Impact Study Guidelines.

CLIENT:
KONSON HOMES INC.
351 CHURCHILL HAVEN N, OTTAWA ON
TEL: 613-715-9666

CONSULTANTS
ARCHITECTS:
DCA
A GROUP OF ARCHITECTS
201-1333 WELLINGTON ST. WEST OTTAWA ON K1Y 3B8
WWW.ARCHITECTSDCA.COM 613.725.2294

SURVEYORS:
Stantec Geomatics Ltd.
CANADA LANDS SURVEYORS
ONTARIO LAND SURVEYORS
1331 CLYDE AVENUE, SUITE 400
OTTAWA, ONTARIO, K2C 3G4
TEL: 613.722.4420
stantec.com

CIVIL ENGINEERS:
EXP SERVICES INC.
2850 Queensview Drive, Ottawa ON K2B 8H6
Tel: (613) 688-1899

LEGEND

- PROPOSED DECIDUOUS TREE
- PROPOSED SHRUBS / ORNAMENTAL GRASSES
- PROPOSED SODDED GRASS AREA
- EXISTING TREE TO REMAIN
- EXISTING TREE TO TRANSPLANTED OR REPLACED AT CONTRACTOR'S DISCRETION
- NEW LOCATION FOR EXISTING TREE TO BE TRANSPLANTED OR REPLACED AT CONTRACTOR'S DISCRETION

No.	Issue	Date	ML	JL	DR	CK
2	REVISED PER CITY COMMENTS	08/30/2023	ML	JL		
1	ISSUED FOR SITE PLAN CONTROL	04/12/2023	ML	JL		

JAMES B. LENNOX & ASSOCIATES INC.
LANDSCAPE ARCHITECTS
3332 CARLING AVE. OTTAWA, ONTARIO K2H 5A8
Tel: (613) 722-6168 Fax: (866) 343-3942

PROJECT
KONSON WAREHOUSE
1485 UPPER CANADA STREET, OTTAWA ON

DRAWING
LANDSCAPE PLAN

STAMP

SCALE
AS SHOWN

START DATE
FEBRUARY 2023

PROJECT NO.
23MIS2322

PROJECT NORTH

DRAWING NO.
L.1

PLOT SIZE ARCH-D