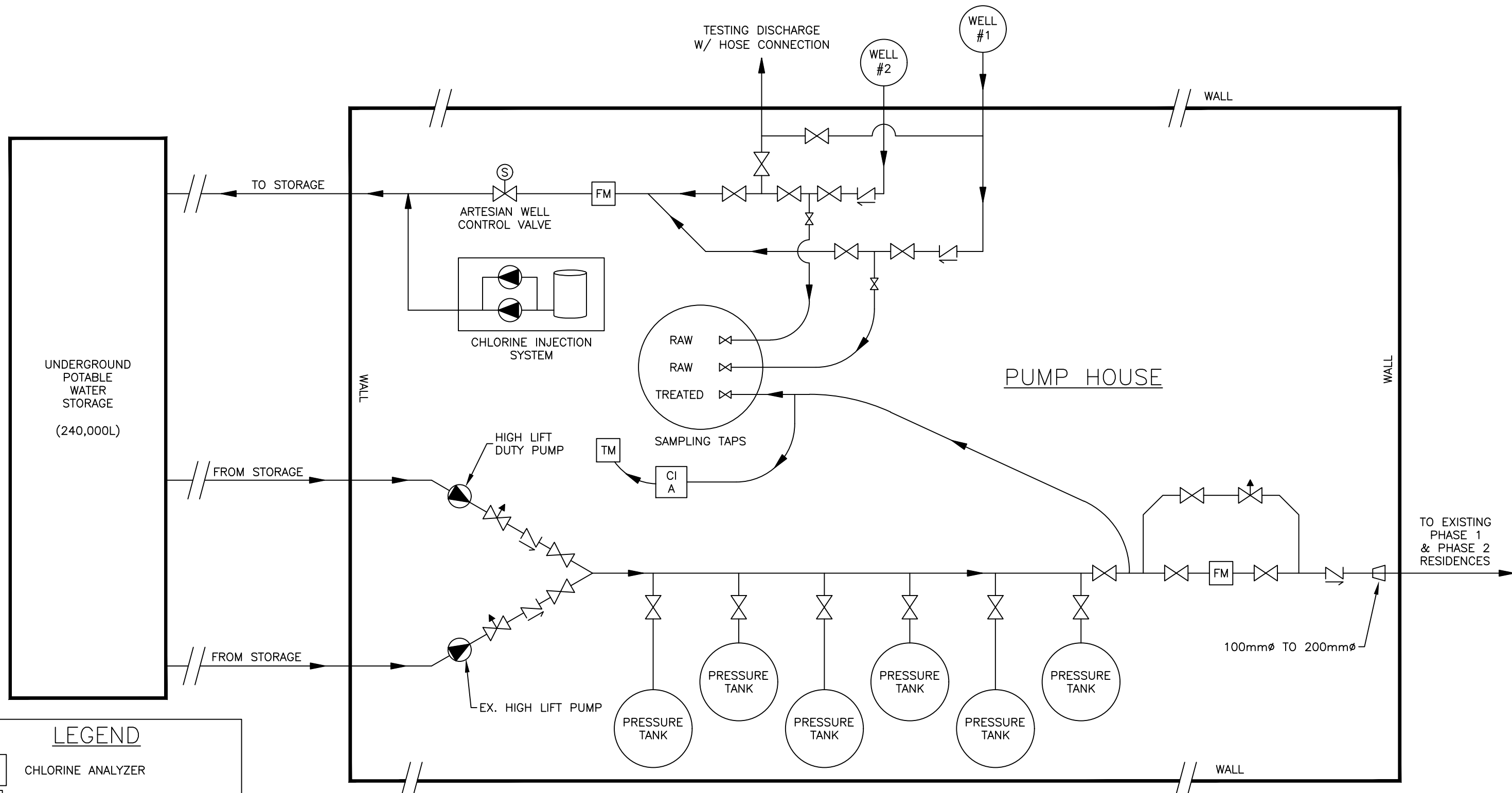


File name: \\POTTFSG002\Data\Projects\Civil Engineering Services\228000\OTT-00228145-A0 - Richmond Retirement Residence - Samara Place\60-Project Execution\2-Drawings\7-Sketches and Figs\FIG 1 - Potable Water System
 Last Saved: Nov 1, 2017 10:38 AM Last Plotted: Nov 1, 2017 10:39 AM Plotted by: elgoyara



LEGEND	
CI A	CHLORINE ANALYZER
FM	FLOW METER
TM	TURBIDITY METER
	PUMP
	VALVE (100mmØ BUTTERFLY, TYP.)
	BACKWATER VALVE
	AIR RELEASE VALVE
	VALVE (32mmØ BALL, TYP.)
	FLOW DIRECTION

exp Services Inc. 100-2650 Queensview Drive Ottawa, ON K2B 8H6 www.exp.com		DESIGN ---	SAMARA SQUARE 311 CHESTNUT GREEN PRIVATE, RICHMOND, ONTARIO, K0A 2Z0, CANADA	SCALE NOT TO SCALE
		DRAWN AE		SKETCH NO
	DATE REV OCT 2017	POTABLE WATER SYSTEM LINE DIAGRAM (PHASE 1 AND PHASE 2)		FIG 1
	PROJECT NO 228145			