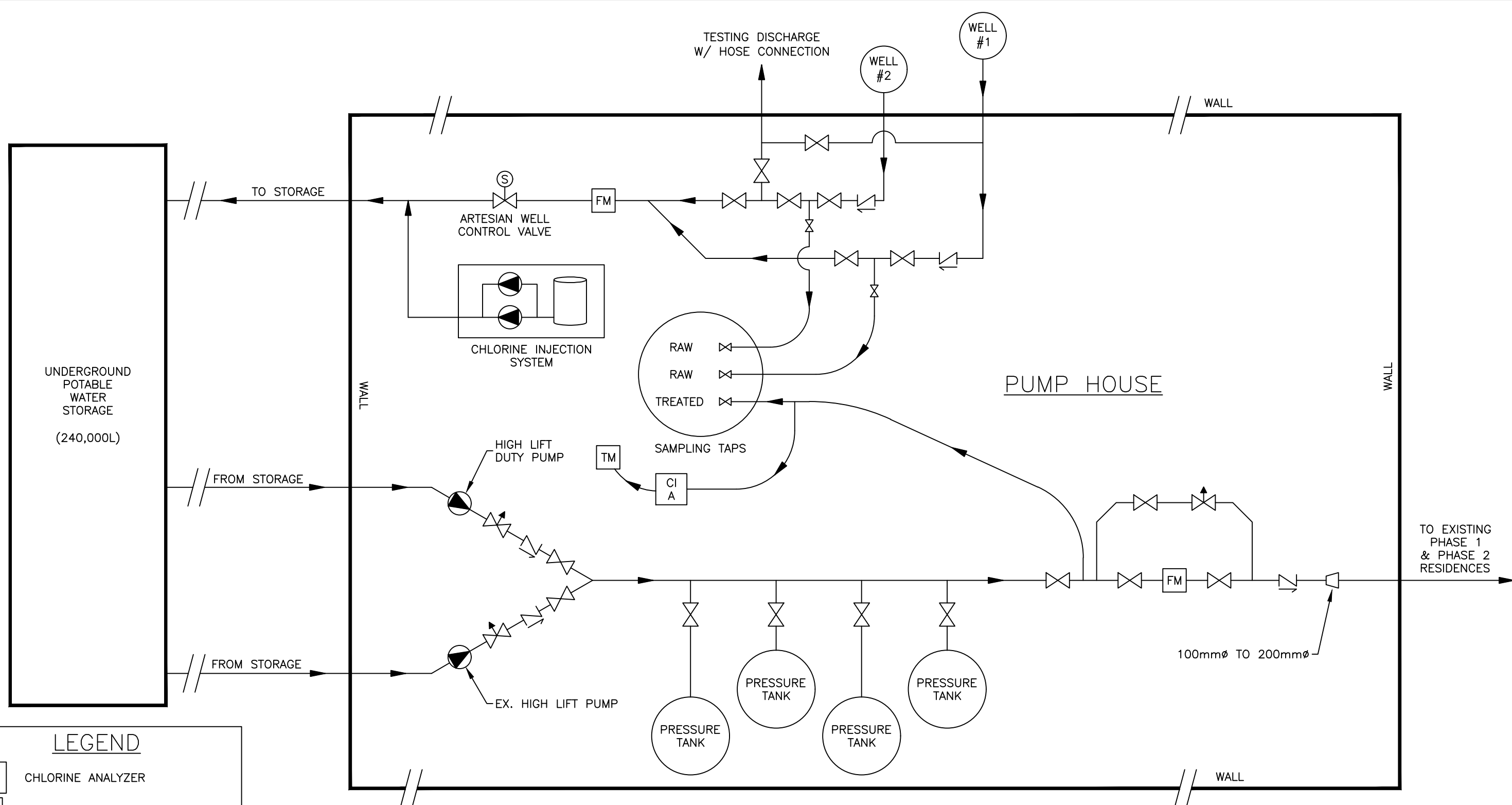


File name: \\POTTF5002\Data\Projects\Civil_Engineering_Services\228000\OTT-00228145-A0 - Richmond Retirement Residence - Samara Place\60-Project Execution\2-Drawings\7-Sketches and Figs\FIGURE 1 - SAMARA SQUARE
 Last Saved: Jun 6, 2017 2:32 PM
 Last Plotted: Jun 6, 2017 2:34 PM
 Plotted by: elgavara



LEGEND	
CI A	CHLORINE ANALYZER
FM	FLOW METER
TM	TURBIDITY METER
	PUMP
	VALVE (100mmØ BUTTERFLY, TYP.)
	BACKWATER VALVE
	AIR RELEASE VALVE
	VALVE (32mmØ BALL, TYP.)
	FLOW DIRECTION

exp Services Inc. 100-2650 Queensview Drive Ottawa, ON K2B 8H6 www.exp.com		DESIGN ---	SAMARA SQUARE 311 CHESTNUT GREEN PRIVATE, RICHMOND, ONTARIO, K0A 2Z0, CANADA	SCALE NOT TO SCALE	
		DRAWN JNS		POTABLE WATER SYSTEM LINE DIAGRAM (PHASE 1 AND PHASE 2)	SKETCH NO
		DATE JUN 2017			FIG 1
		PROJECT NO 228145			