

# PROJET | PAYSAGE

24 Mont-Royal O. Bureau 801 Montréal Québec H2T 2S2  
T: 514.849.7700 F: 514.849.2027 info@projetpaysage.com



IMAGE CONCEPTUELLE. LES SPÉCIFICATIONS DES PLANS ET DEVIS PEUVENT VARIER

CLIENT:



MAGIL LAURENTIENNE

PROJECT: **979, WELLINGTON**

ML Wellington Realty Investments Inc.  
C/O ML DEVCO INC  
651, Churchill Avenue N  
Ottawa (Ontario) K1Z 5G2  
Tel: 613-686-6319

## Architecture de paysage / Landscape Architecture

FEUILLET / SHEET	TITRE / TITLE	ÉCHELLE / SCALE
AP-10	PLAN D'ENSEMBLE / SITE PLAN	1:100
AP-20	PLAN DE DESCRIPTION / DESCRIPTION PLAN	1:100
AP-30	PLAN DE PLANTATION / PLANTING PLAN	1:100
AP-50	DÉTAILS DE CONSTRUCTION / CONSTRUCTION DETAILS	VARIÉES / VARIES
AP-51	DÉTAILS DE CONSTRUCTION / CONSTRUCTION DETAILS	VARIÉES / VARIES

In collaboration with:

Architecture	Transportation Engineer	Geotechnical Engineer	Surveyor	Civil Engineer	Urban Planner
<b>RODERICK LAHEY</b> ARCHITECTS	<b>CGH TRANSPORTATION INC.</b>	<b>PATERSON GROUP</b>	<b>ANNIS O'SULLIVAN VOLLEBEKK LTD.</b> Ontario Land Surveyors	<b>IBI GROUP</b>	<b>FOTENN CONSULTANTS INC.</b>
56 Beech Street Ottawa, Ontario, K1S 3J6 T. 613.724.9932 E. admin@rlaarchitecture.ca	13 Markham Avenue Ottawa, Ontario, K2G 3Z1 T. 343.999.9117 E. christopher.gordon@cghtransportation.com	154 Colonnade Road South Ottawa, Ontario, K2E 7J5 T. 613.226.7381 E. md'arcy@patersongroup.ca	14 Concourse Gate, Suite 500, Nepean, Ontario, K2E 7S6 T. 613.727.0850 F. 613.727.1079 E. edh@aovltd.com	333 Preston Street, Suite 400 Ottawa, Ontario, K1S 5N4 T. 613.225.1311 F. 613.225.9868 E. jmoffatt@ibigroup.com	396 Cooper Street, Suite 300 Ottawa, Ontario, K2P 2H7 T. 613.730.5709 F. 613.730.1136 E. nitsche@fotenn.com

JOB BENCHMARK No. 1  
Fire Hydrant-Top of Spindle  
Elevation:62.54

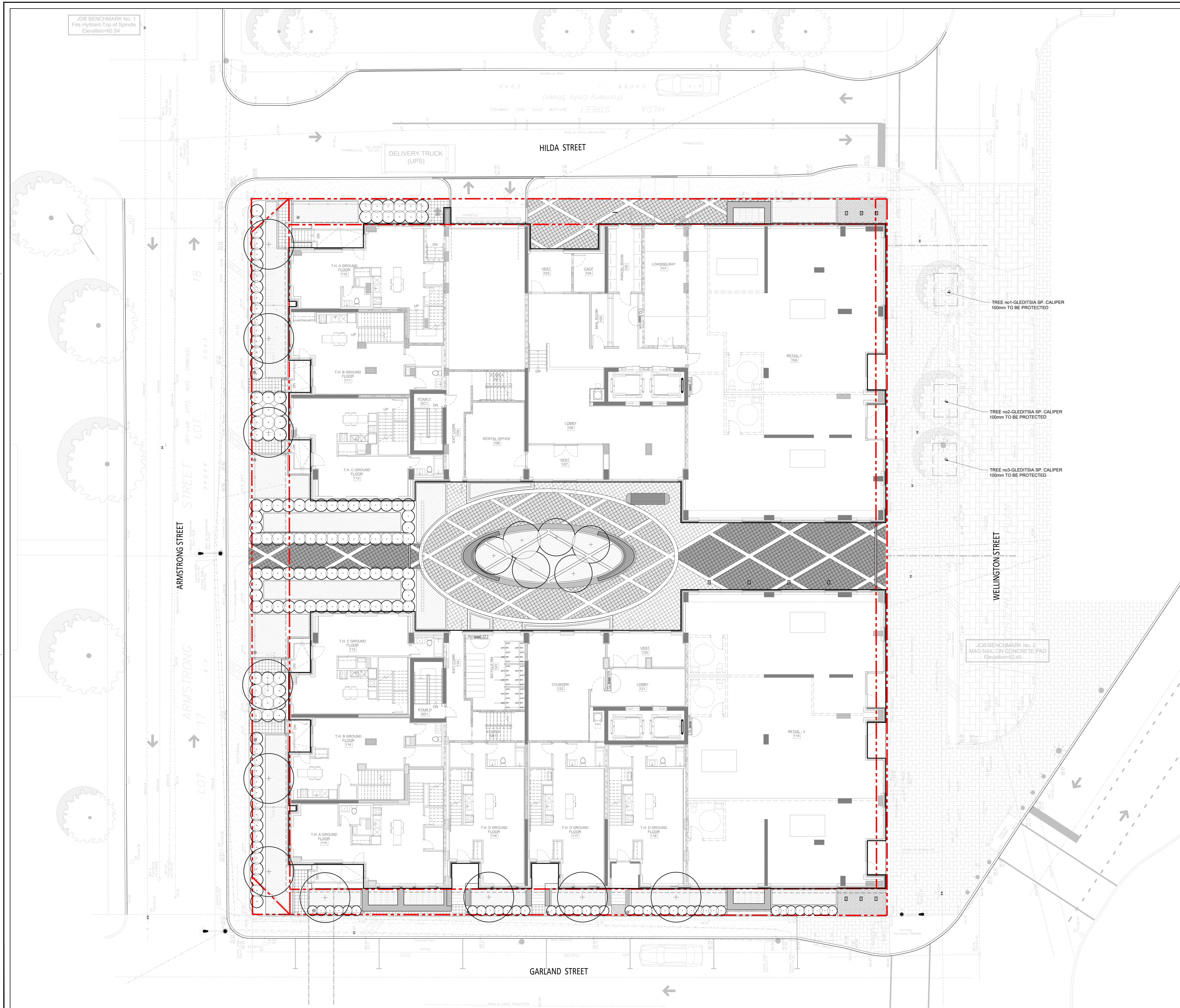
**LEGEND**

- Lot limit
- Intervention limit
- Top level soil slope
- Bottom level soil slope
- Proposed deciduous trees and shrubs
- Proposed coniferous trees and shrubs
- Perennials and grasses
- Turf
- Lighting, see lighting plan

**MAGIL LAURENTIENNE**  
ML Wellington Realty Investments Inc.  
C/O ML DEVO INC.  
651, Churchill Avenue N  
Ottawa (Ontario) K1Z 5G2  
Tel: 613-686-6319

Revisions	No	Description	Accr	Date
	1	Preliminary Issue	S.G.	11/15/21
	2	Site Plan Control	S.G.	12/10/21
	3	Site Plan Control	S.G.	12/13/21
	4	Site Plan Control	S.G.	12/15/21
	5	Site Plan Control	S.G.	03/18/22
	6	Site Plan Control	S.G.	06/23/22
	7	Coordination plans - 99%	S.G.	08/26/22
	8	Site Plan Control	S.G.	12/13/22

**DO NOT USE FOR CONSTRUCTION**



TREE no1-GLEDITSIA SP. CALIPER  
100mm TO BE PROTECTED

TREE no2-GLEDITSIA SP. CALIPER  
100mm TO BE PROTECTED

TREE no3-GLEDITSIA SP. CALIPER  
100mm TO BE PROTECTED

JOB BENCHMARK No. 2  
MAG NAIL ON CONCRETE PAD  
Elevation:62.45

- Notes :**
- The Contractor must verify all site existing conditions before beginning the work and inform the Project Director of any errors, omissions or contradictions.
  - Existing grades indicated on the plan come from the survey provided by the owner.
  - The Contractor must not cut down any existing vegetation without the approval of the Project Director.
  - Implementation of the works on site must be approved by the Project Director.
  - The Contractor must use the CAD file for implementation of all work.
  - The contractor must verify the amounts specified in the schedule and notify the landscape architect of any errors, omissions or contradictions before the close of the bid.

**PROJET | PAYSAGE**  
24 Mont-Royal O. Bureau 801, Montréal, Québec H2T 2S2  
T: 514 849 7700 F: 514 849 2027 info@projetpaysage.com

Professional seal

Project name: **979, WELLINGTON**

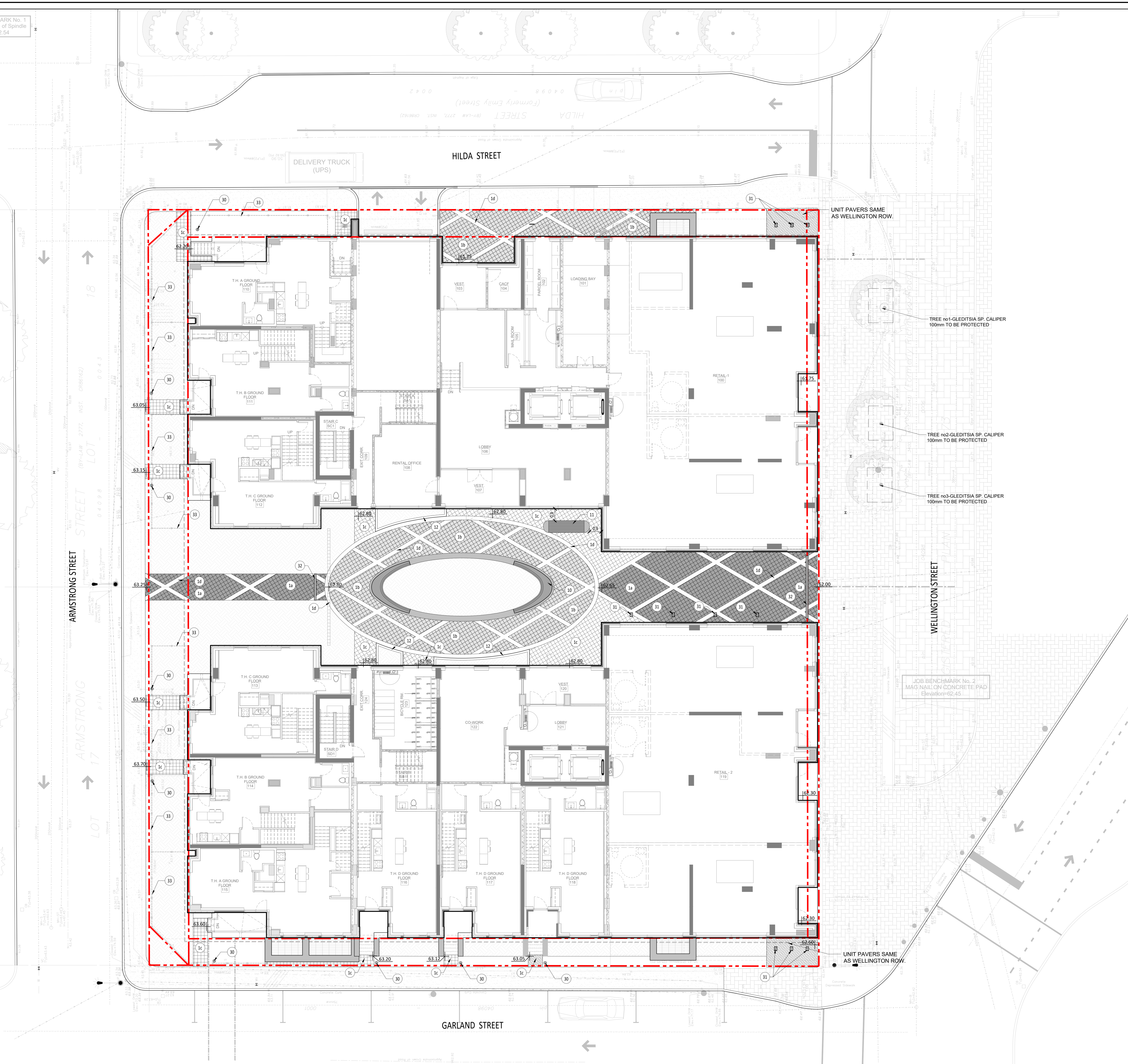
Drawing title: **SITE PLAN**

Scale: **1:100**

Designed by: S. Gallant  
Reviewed by: X. Benjamin  
Approved by: S. Gallant  
Date: November 2020

Draw No: **AP-10**  
20-640

JOB BENCHMARK No. 1  
Fire Hydrant-Top of Spindle  
Elevation: 62.54



**LEGEND**

- Lot limit
- Intervention limit
- Proposed levels
- TW Top low wall
- TB Top border
- TS Top staircase
- TT Top soil slope
- TD Top drain
- BW Bottom low wall
- BB Bottom border
- BS Bottom staircase
- BT Bottom soil slope
- BP High point
- High level soil slope
- Bottom level soil slope
- Lighting, see lighting plan
- Tree pt, see details
- Planting bed, see planting plan
- Grass or seeding, see planting plan

**List of details on plans**

**Key**

**Surfaces**

- 01 Pavers
  - a- Type A
  - b- Type B
  - c- Type C
  - d- Top/d

**Precast concrete**

- 10 Modular precast concrete bench
- 11 Precast concrete bench
- 12 Precast concrete curb

**Equipment and furniture**

- 30 Bikerack
- 31 Bikerack
- 32 Trash can
- 33 Low decorative rough iron fence

**MAGIL LAURENTIENNE**  
ML Wellington Realty Investments Inc.  
C/O ML DEVO INC.  
651, Churchill Avenue N  
Ottawa (Ontario) K1Z 5G2  
Tel: 613-686-6319

Revisions	No	Description	Accr	Date
1	1	Preliminary issue	S.G.	11/15/21
2	2	Site Plan Control	S.G.	12/10/21
3	3	Site Plan Control	S.G.	12/13/21
4	4	Site Plan Control	S.G.	12/15/21
5	5	Site Plan Control	S.G.	03/18/22
6	6	Site Plan Control	S.G.	06/23/22
7	7	Coordination plans - 99%	S.G.	08/26/22
8	8	Site Plan Control	S.G.	12/13/22

**DO NOT USE FOR CONSTRUCTION**

- Notes:**
- The Contractor must verify all site existing conditions before beginning the work and inform the Project Director of any errors, omissions or contradictions.
  - Existing grades indicated on the plan come from the survey provided by the owner.
  - The Contractor must not cut down any existing vegetation without the approval of the Project Director.
  - Implementation of the works on site must be approved by the Project Director.
  - The Contractor must use the CAD file for implementation of all work.
  - The contractor must verify the amounts specified in the schedule and notify the landscape architect of any errors, omissions or contradictions before the close of the bid.

**PROJET | PAYSAGE**  
24 Mont-Royal O. Bureau 801, Montréal, Québec H2T 2S2  
T: 514 849 7700 F: 514 849 2027 info@projetpaysage.com

Professional seal

Project name: **979, WELLINGTON**

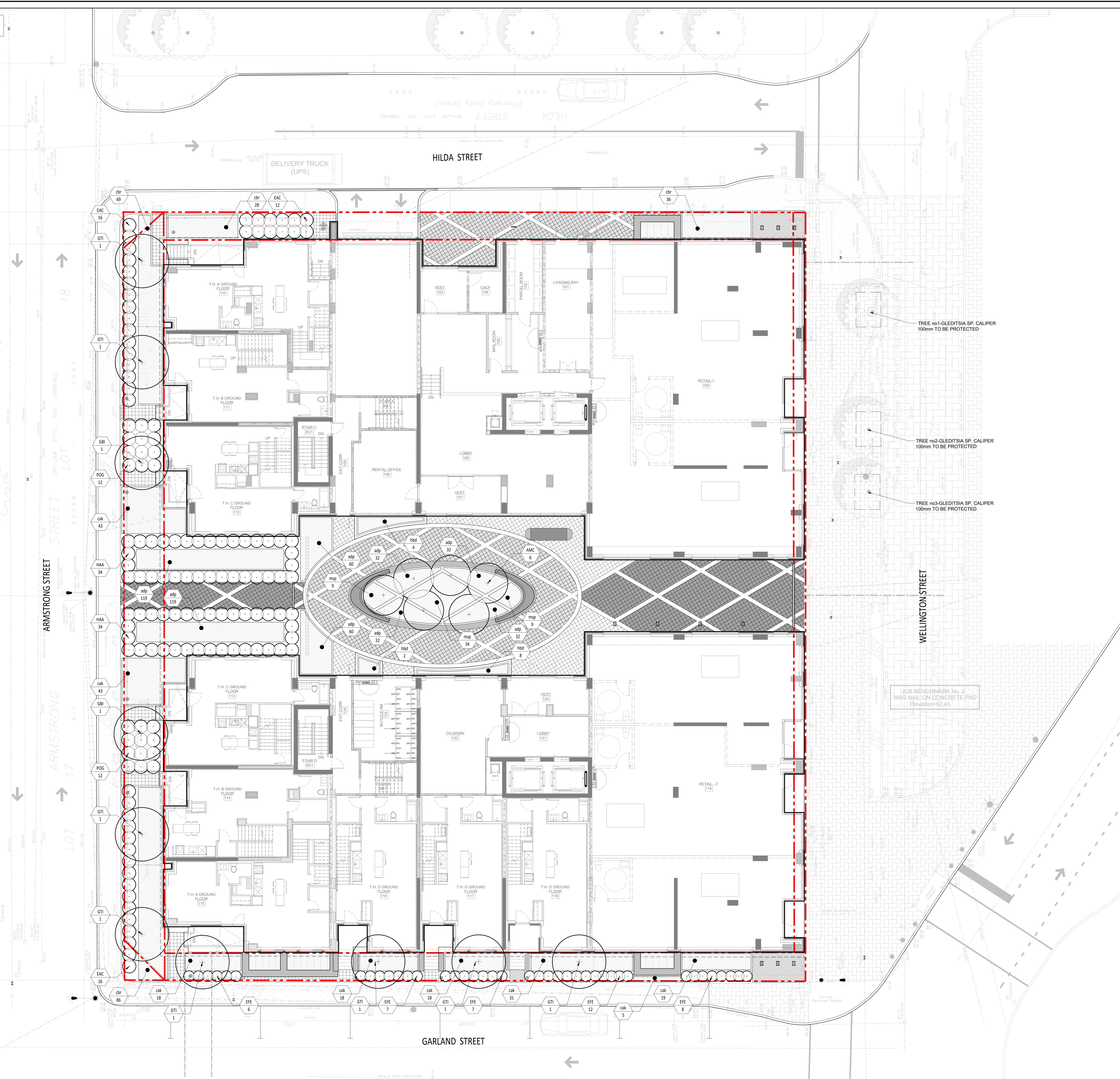
Drawing title: **DESCRIPTION PLAN**

Scale: **1:100**

Designed by: S. Gallant  
Approved by: X. Benjamin  
Date: November 2020

Project No: **AP-20**  
Drawing No: **20-640**

JOB BENCHMARK No. 1  
Fire Hydrant-Top of Spindle  
Elevation: 62.54



**LEGEND**

- Lot limit
- - - Intervention limit
- Proposed deciduous trees and shrubs
- Proposed coniferous trees and shrubs
- ▨ Perennials and grasses
- Turf
- ▲ Planting key

**PLANTING LIST**

Qty	Qty	Latin name	Caliber
<b>DECIDUOUS TREES</b>			
01	1	Gleditsia triacanthos 'Vermont'	70mm
02	2	Gleditsia triacanthos	70mm
03	2	Aster multiflorus canadensis on ball	50mm
<b>DECIDUOUS SHRUBS</b>			
04	02	Hydrangea sp. 'Annabelle'	50cm
05	01	Buxbaum latifolia 'Compacta'	50cm
06	01	Buxbaum latifolia 'Forest Giant'	50cm
07	01	Physocarpus opulifolius	40cm
<b>PERENNIALS</b>			
08	01	Alchemilla mollis	100mm
09	01	Thalictrum aquilegifolium	100mm
<b>ORNAMENTAL GRASSES</b>			
10	01	Calamagrostis canadensis 'Karl Foerster'	100mm
11	01	Calamagrostis canadensis	100mm
12	01	Phlox subulata	100mm

**MAGIL LAURENTIENNE**  
ML Wellington Realty Investments Inc.  
C/O ML DEVO INC.  
651, Churchill Avenue N  
Ottawa (Ontario) K1Z 5G2  
Tel: 613-686-6319

**Revisions**

No	Description	Accr	Date
1	Preliminary Issue	S.G.	11/15/21
2	Site Plan Control	S.G.	12/10/21
3	Site Plan Control	S.G.	12/13/21
4	Site Plan Control	S.G.	12/15/21
5	Site Plan Control	S.G.	03/18/22
6	Site Plan Control	S.G.	06/23/22
7	Coordination plans - 99%	S.G.	08/26/22
8	Site Plan Control	S.G.	12/13/22

**DO NOT USE FOR CONSTRUCTION**

- Notes :**
- The Contractor must verify all site existing conditions before beginning the work and inform the Project Director of any errors, omissions or contradictions.
  - Existing grades indicated on the plan come from the survey provided by the owner.
  - The Contractor must not cut down any existing vegetation without the approval of the Project Director.
  - Implementation of the works on site must be approved by the Project Director.
  - The Contractor must use the CAD file for implementation of all work.
  - The contractor must verify the amounts specified in the schedule and notify the landscape architect of any errors, omissions or contradictions before the close of the bid.

**PROJET | PAYSAGE**  
24 Mont-Royal O. Bureau 801, Montréal, Québec H2T 2S2  
T: 514 849 7700 F: 514 849 2027 info@projetpaysage.com

Professional seal

Project name: **979, WELLINGTON**

Drawing title: **PLANTING PLAN**

Scale: **1:100**

Designed by: S. Gallant  
Checked by: X. Benjamin  
Approved by: S. Gallant  
Date: November 2020

Sheet No.: **AP-30**  
20-640

JOB BENCHMARK No. 1  
Fire Hydrant-Top of Spindle  
Elevation: 62.54

JOB BENCHMARK No. 2  
MAG NAIL ON CONCRETE PAD  
Elevation: 62.45

**LEGENDE**

--- Lot limit  
- - - Intervention limit

**LIGHTING**

Code	Qty	Model
L1	XX	STREET LAMP Model: To be determined Colour: To be determined Fixing: To be determined
L2	XX	LUMINOUS BOLLARD Model: To be determined Colour: To be determined Fixing: To be determined
L3	XX	LUMINOUS BOLLARD Model: To be determined Colour: To be determined Fixing: To be determined
L4	XX	PROJECTOR FOR SIGN Model: To be determined Colour: To be determined Fixing: To be determined

**IRRIGATION**

Planting areas to be irrigated.  
Drip irrigation system.

Grassed and seeded surfaces to be irrigated.  
Sprinkler irrigation system.

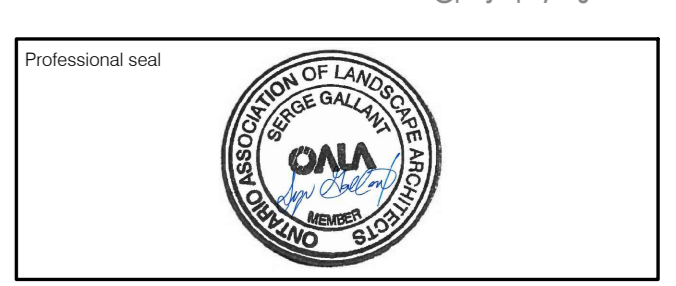
**MAGIL LAURENTIENNE**  
ML Wellington Realty Investments Inc.  
C/O ML DEVO INC  
651, Churchill Avenue N  
Ottawa (Ontario) K1Z 5G2  
Tel: 613-686-6319

Revisions	No	Description	Accr	Date
1	1	Preliminary Issue	S.G.	11/15/21
2	2	Site Plan Control	S.G.	12/10/21
3	3	Site Plan Control	S.G.	12/13/21
4	4	Site Plan Control	S.G.	12/15/21
5	5	Site Plan Control	S.G.	03/18/22
6	6	Site Plan Control	S.G.	06/23/22
7	7	Coordination plans - 99%	S.G.	08/26/22
8	8	Site Plan Control	S.G.	12/13/22

**DO NOT USE FOR CONSTRUCTION**

- Notes :**
- The Contractor must verify all site existing conditions before beginning the work and inform the Project Director of any errors, omissions or contradictions.
  - Existing grades indicated on the plan come from the survey provided by the owner.
  - The Contractor must not cut down any existing vegetation without the approval of the Project Director.
  - Implementation of the works on site must be approved by the Project Director.
  - The Contractor must use the CAD file for implementation of all work.
  - The contractor must verify the amounts specified in the schedule and notify the landscape architect of any errors, omissions or contradictions before the close of the bid.

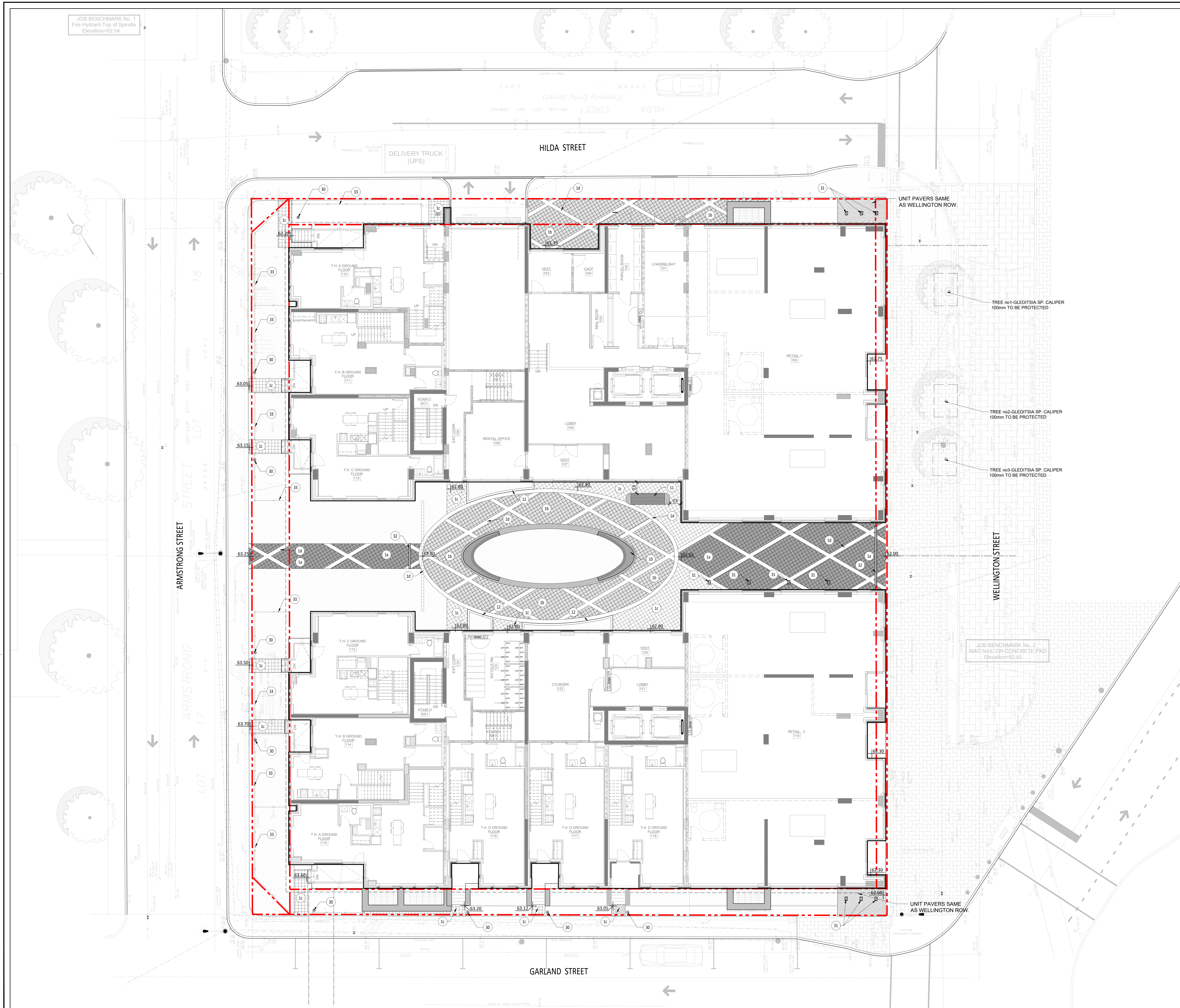
**PROJET | PAYSAGE**  
24 Mont-Royal O. Bureau 801, Montréal, Québec H2T 2S2  
T: 514 849 7700 F: 514 849 2027 info@projetpaysage.com



Project name:  
**979, WELLINGTON**

Drawing title:  
**LIGHTING AND IRRIGATION PLAN**

Scale: 1:100  
Designed by: S. Gallant  
Checked by: X. Benjamin  
Approved by: S. Gallant  
Date: November 2020  
Project No.: **AP-40**  
Drawing No.: **20-640**



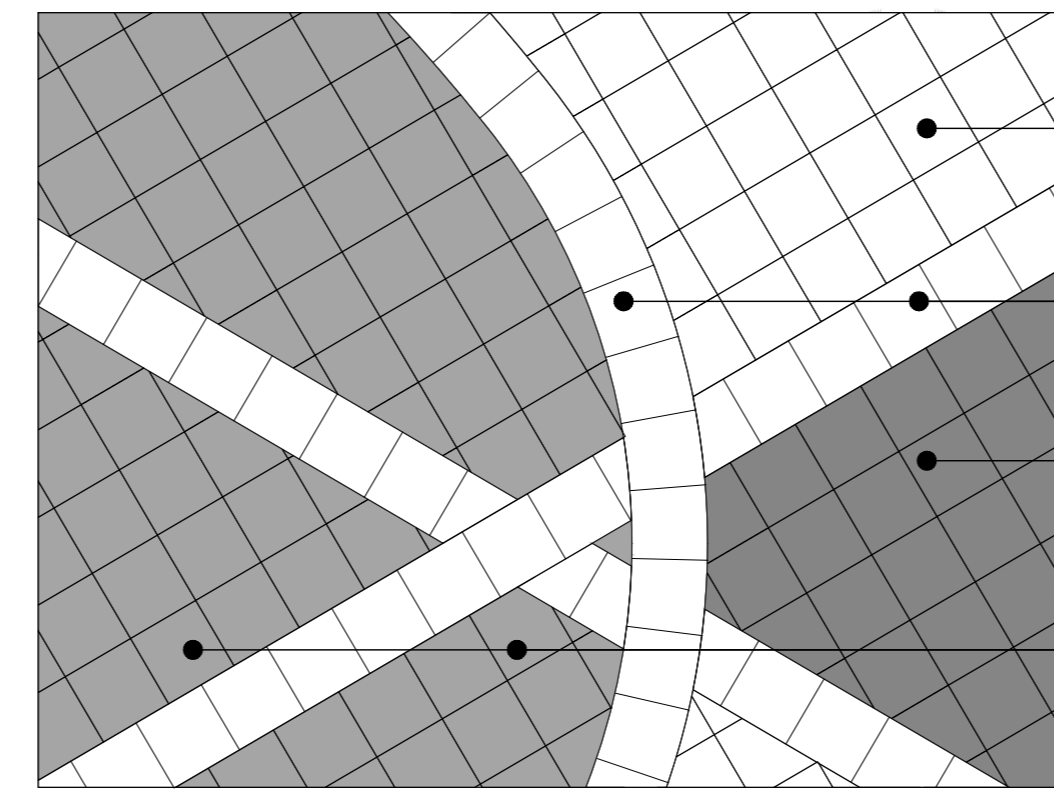


MAGIL LAURENTIENNE

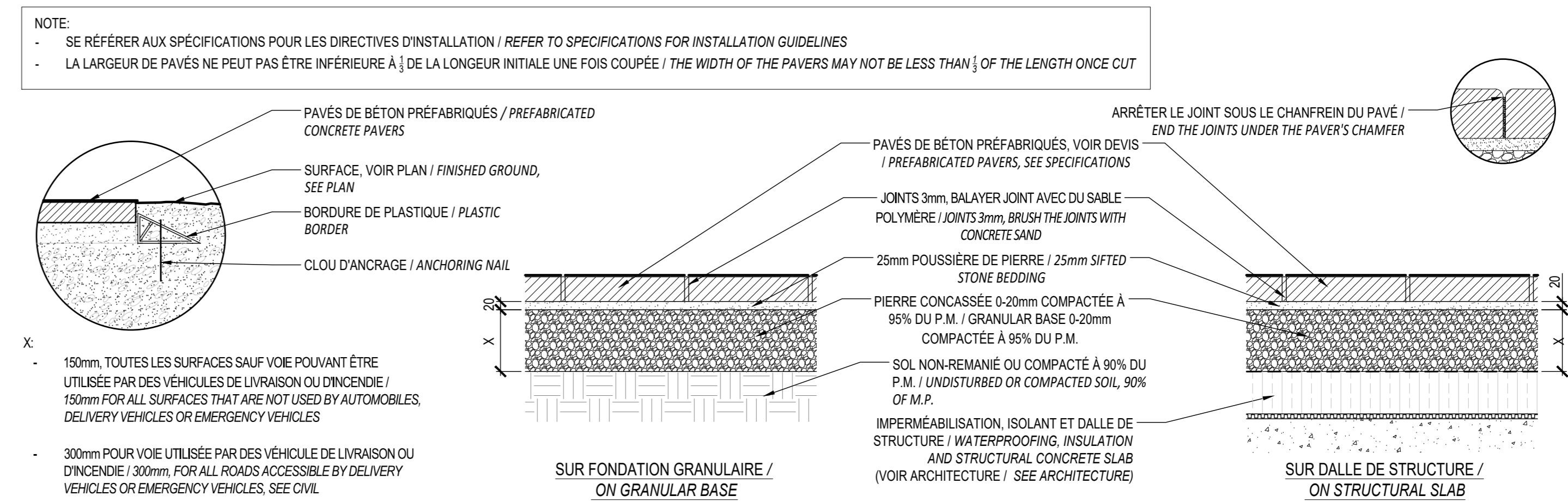
ML Wellington Realty Investments Inc.  
C/O ML DEVCO INC.  
651, Churchill Avenue N  
Ottawa (Ontario) K1Z 5G2  
Tel: 613-686-6319

No	Description	Accr	Date
1	Preliminary Issue	S.G.	11/15/21
2	Site Plan Control	S.G.	12/10/21
3	Site Plan Control	S.G.	12/13/21
4	Site Plan Control	S.G.	12/15/21
5	Site Plan Control	S.G.	03/18/22
6	Site Plan Control	S.G.	06/23/22
7	Coordination plans - 99%	S.G.	08/26/22
8	Site Plan Control	S.G.	12/13/22

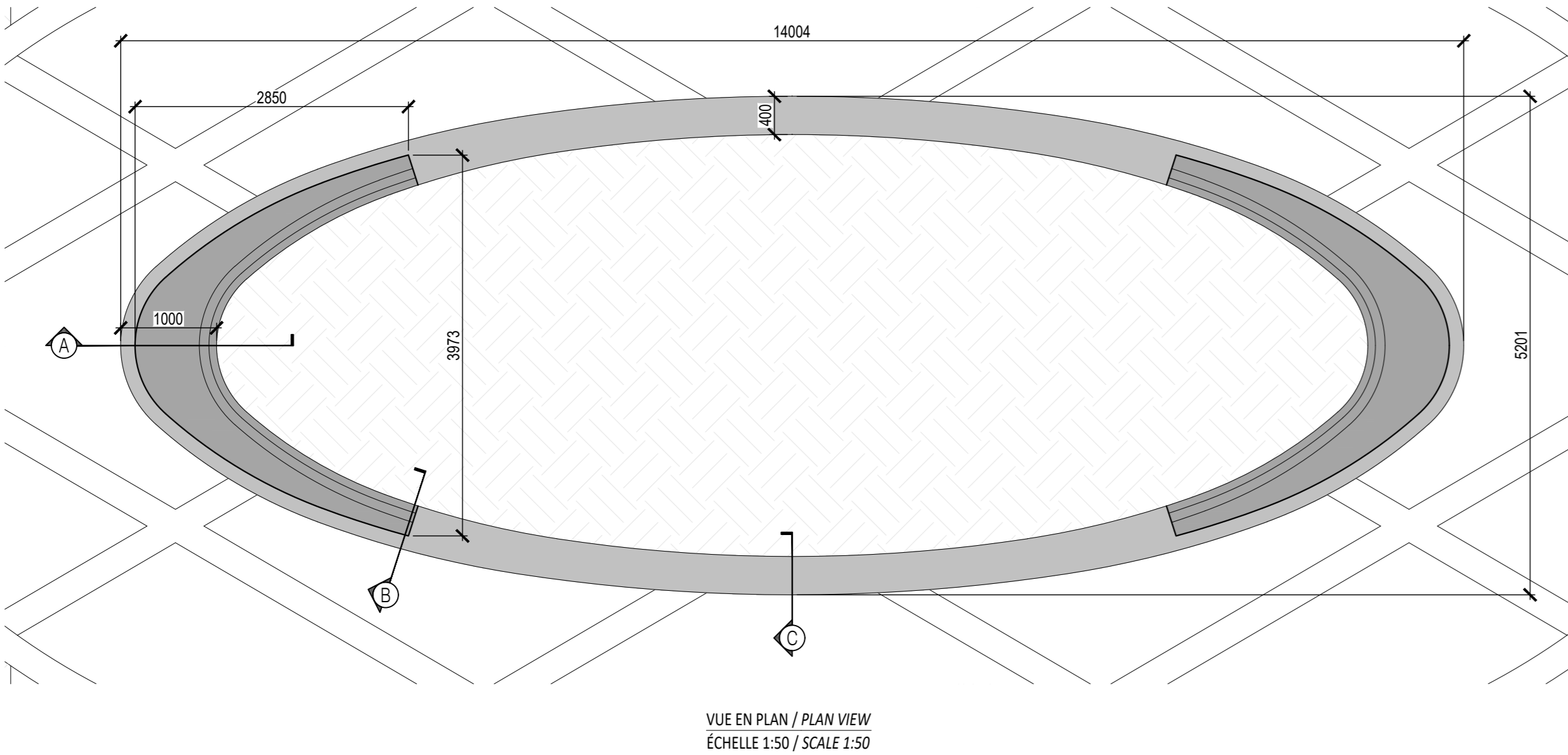
DO NOT USE FOR CONSTRUCTION



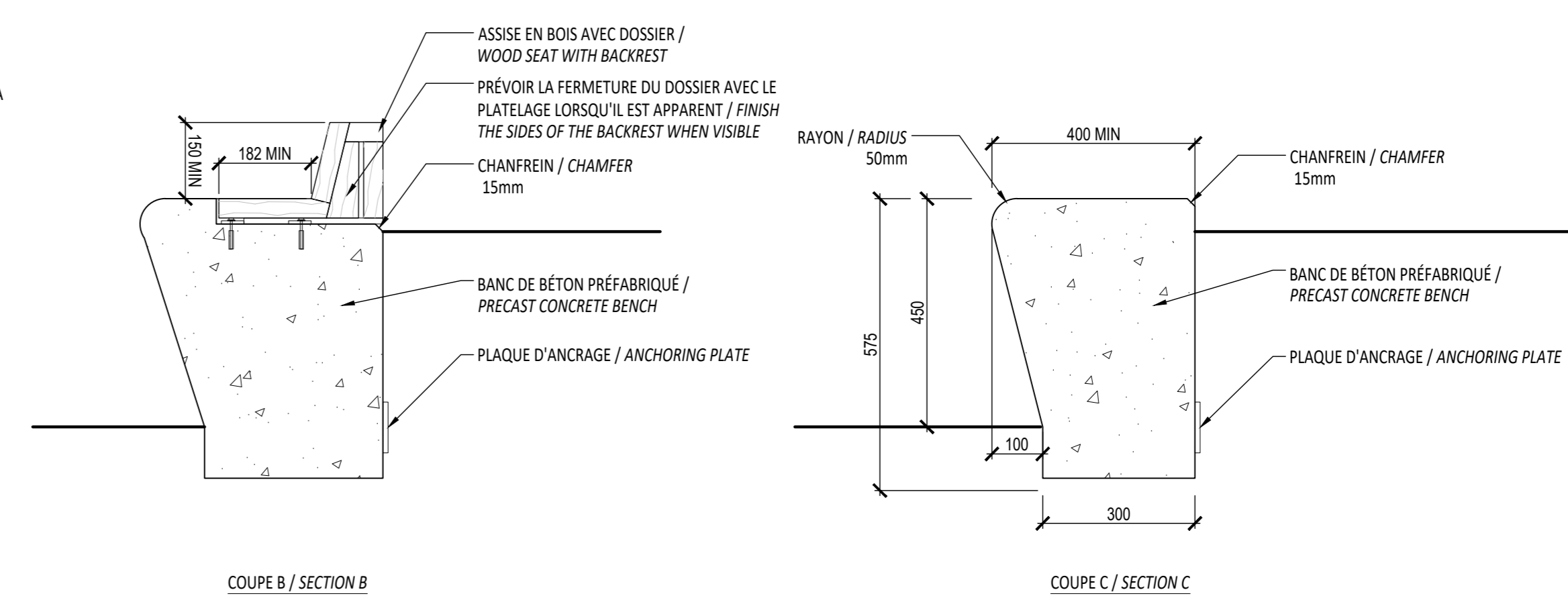
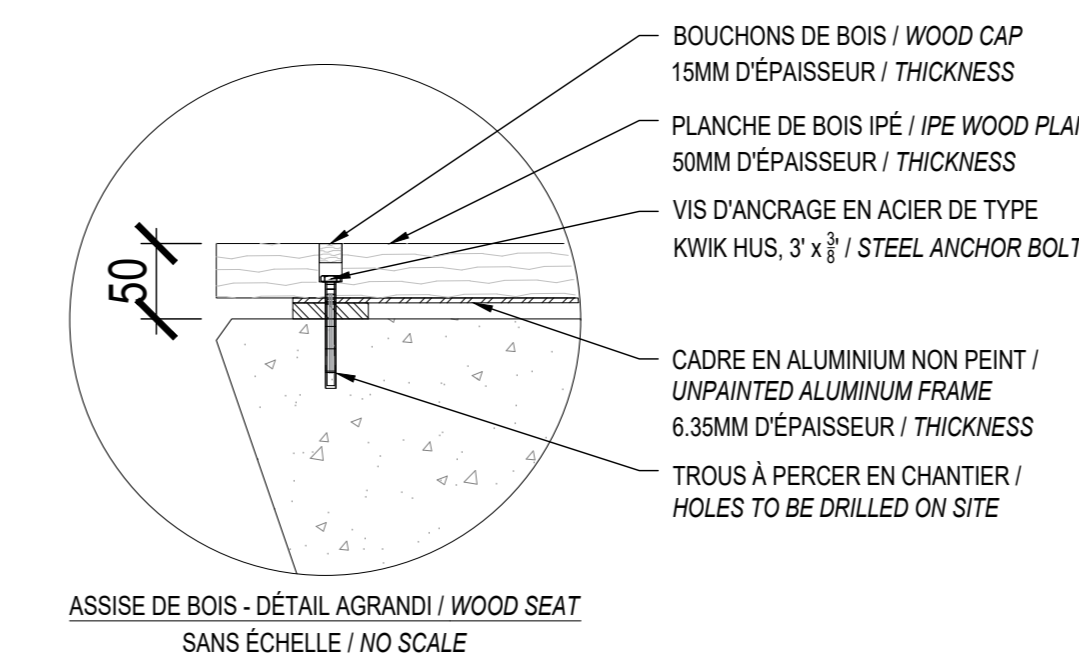
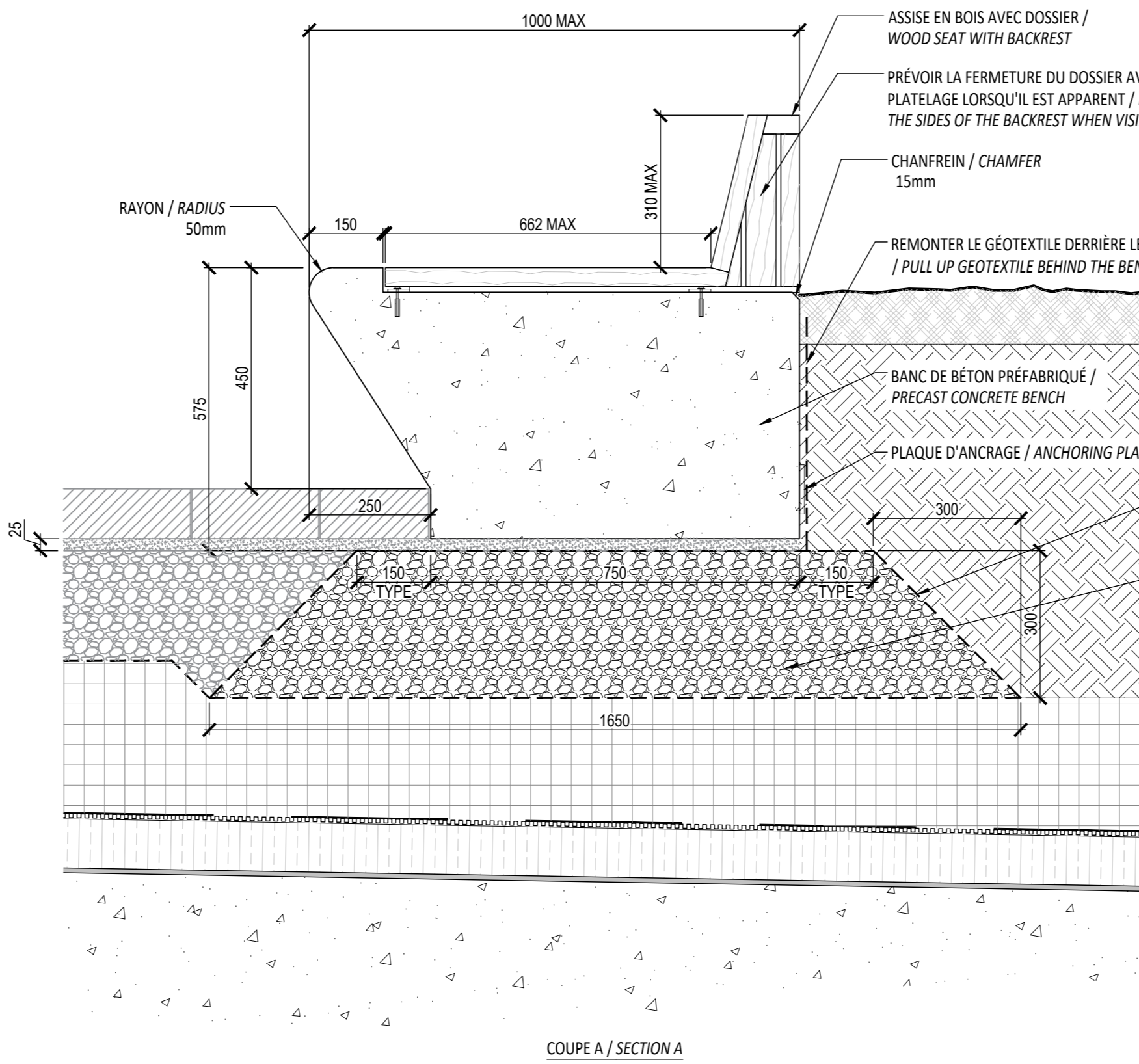
1 PAVES DE BÉTON PRÉFABRIQUÉS TYPE / TYPICAL PREFABRICATED PAVERS  
Echelle / Scale 1:10



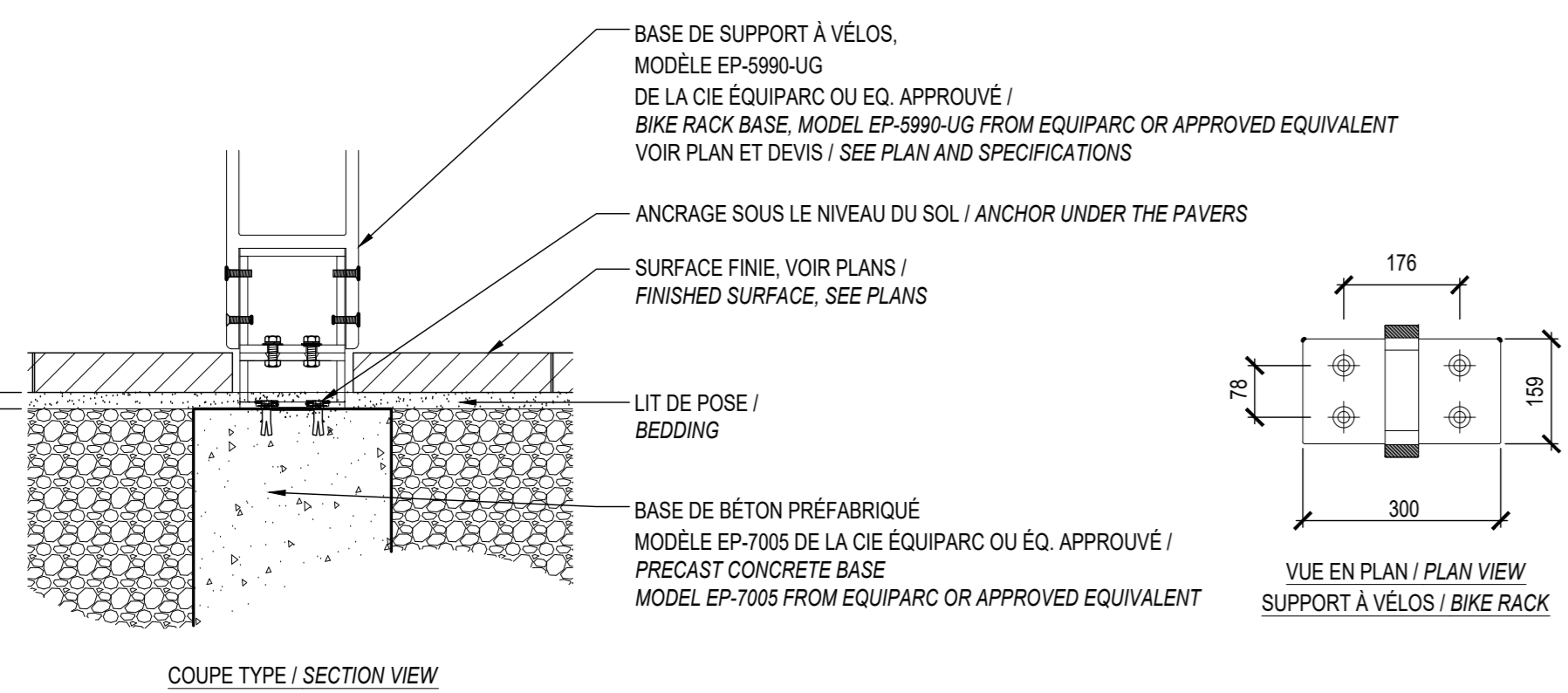
- NOTES:
- BÉTON COULÉ EN USINE / CONCRETE CAST AT FACTORY;
  - LE BANC DE BÉTON PRÉFABRIQUÉ SERA DE COULEUR (FOURNIR UN ÉCHANTILLON POUR APPROBATION) / CONCRETE BENCH COLOR WILL BE (PROVIDE SAMPLE FOR APPROBATION);
  - LES SURFACES APPARENTES DOIVENT ÊTRE FINIES AU JET DE SABLE LÉGER / CONCRETE SURFACES MUST BE FINISHED WITH A LIGHT SANDBLAST;
  - INSTALLATION SELON LES RECOMMANDATIONS DU FABRICANT / INSTALLATION ACCORDING TO MANUFACTURER'S RECOMMENDATIONS;
  - L'ENTREPRENEUR DOIT FOURNIR POUR APPROBATION DES DESSINS D'ATELIER DÉTAILLÉS, CÔTÉS, SCÉLÉS ET SIGNÉS PAR INGÉNIEUR CERTIFIÉ / CONTRACTOR MUST PROVIDE DRAWINGS SEALED AND SIGNED BY A CERTIFIED ENGINEER;
  - PRÉVOIR EN USINE LES ÉLÉMENTS D'ANCRAGE AUX MODULES AFIN DE LES CONNECTER LES UNS AUX AUTRES. LA FIXATION NE DOIT PAS ÊTRE APPARENTE. FAIRE APPROUVER LE MODE DE FIXATION PAR LE DIRECTEUR DE PROJET. PRÉVOIR UNE ENCAURE DANS LES MODULES DE BÉTON / PROVIDE AT THE FACTORY THE ANCHORING ELEMENTS IN ORDER TO CONNECT THE CONCRETE MODULES TO ONE ANOTHER. THE ATTACHMENT MUST NOT BE APPARENT. HAVE THE FIXING MODE APPROVED BY THE PROJECT MANAGER. PROVIDE A CAVURE IN THE CONCRETE MODULES;
  - PRÉVOIR UNE PENTE DE 1% SUR TOUTES LES SURFACES HORIZONTALES POUR PERMETTRE L'ÉCOULEMENT DE L'EAU / LEVEL ALL HORIZONTAL SURFACES AS TO KEEP A 1% SLOPE TO ALLOW WATER DRAINAGE



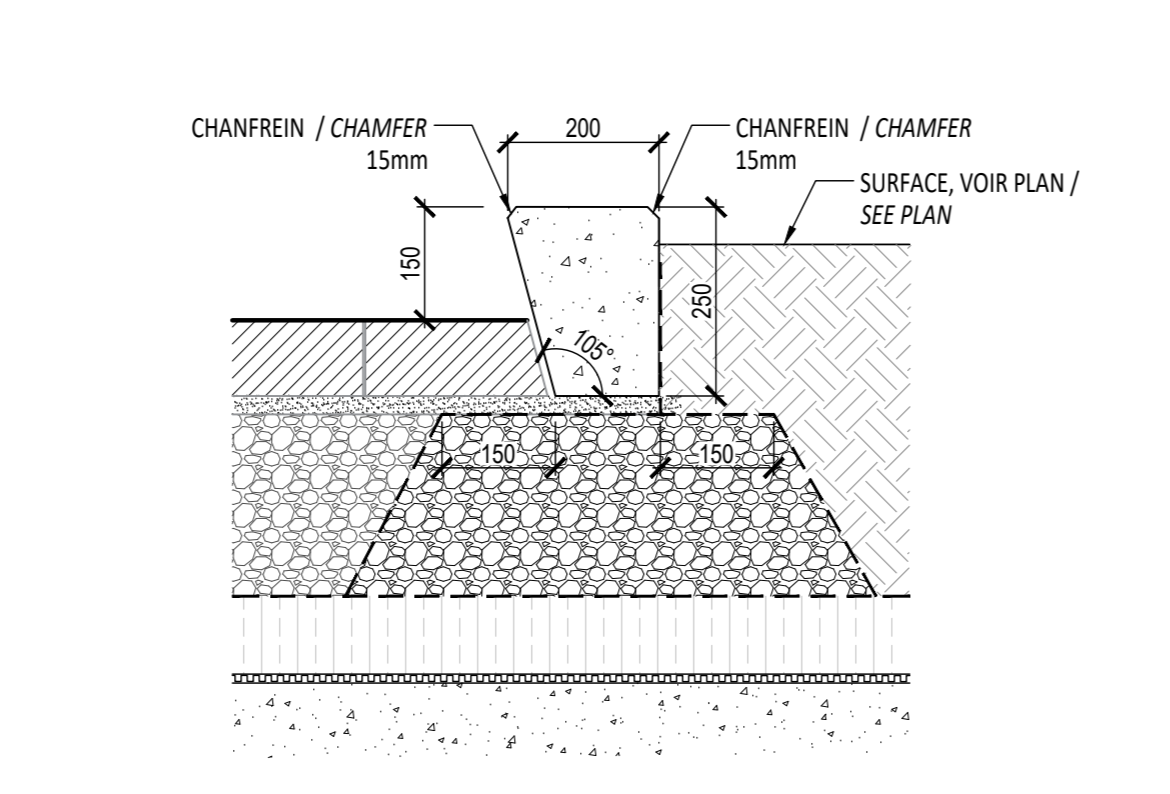
10 BANC MODULAIRE DE BÉTON PRÉFABRIQUÉ / MODULAR PRECAST CONCRETE BENCH  
Echelle / Scale 1:10



- NOTES:
- PRÉVOIR ANCRAGE ET QUINCAILLERIE ANTI-VOL / PROVIDE ANTI-THEFT ANCHORING AND HARDWARE
  - INSTALLATION SELON LES RECOMMANDATIONS DU FOURNISSEUR / INSTALL ACCORDING TO MANUFACTURER'S RECOMMENDATIONS

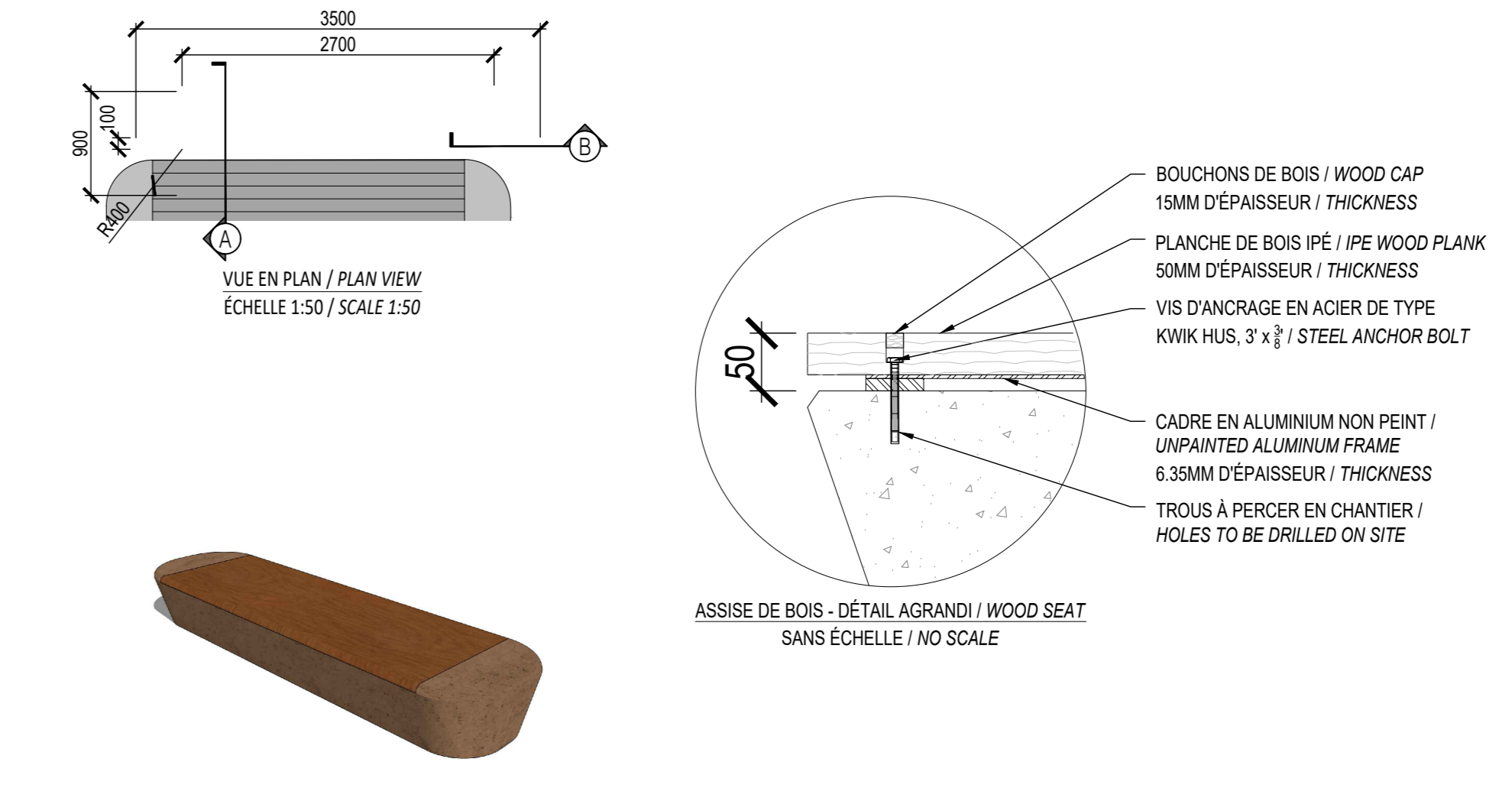


31 SUPPORT À VÉLOS / BIKE RACKS  
Echelle 1:10 / Scale 1:10



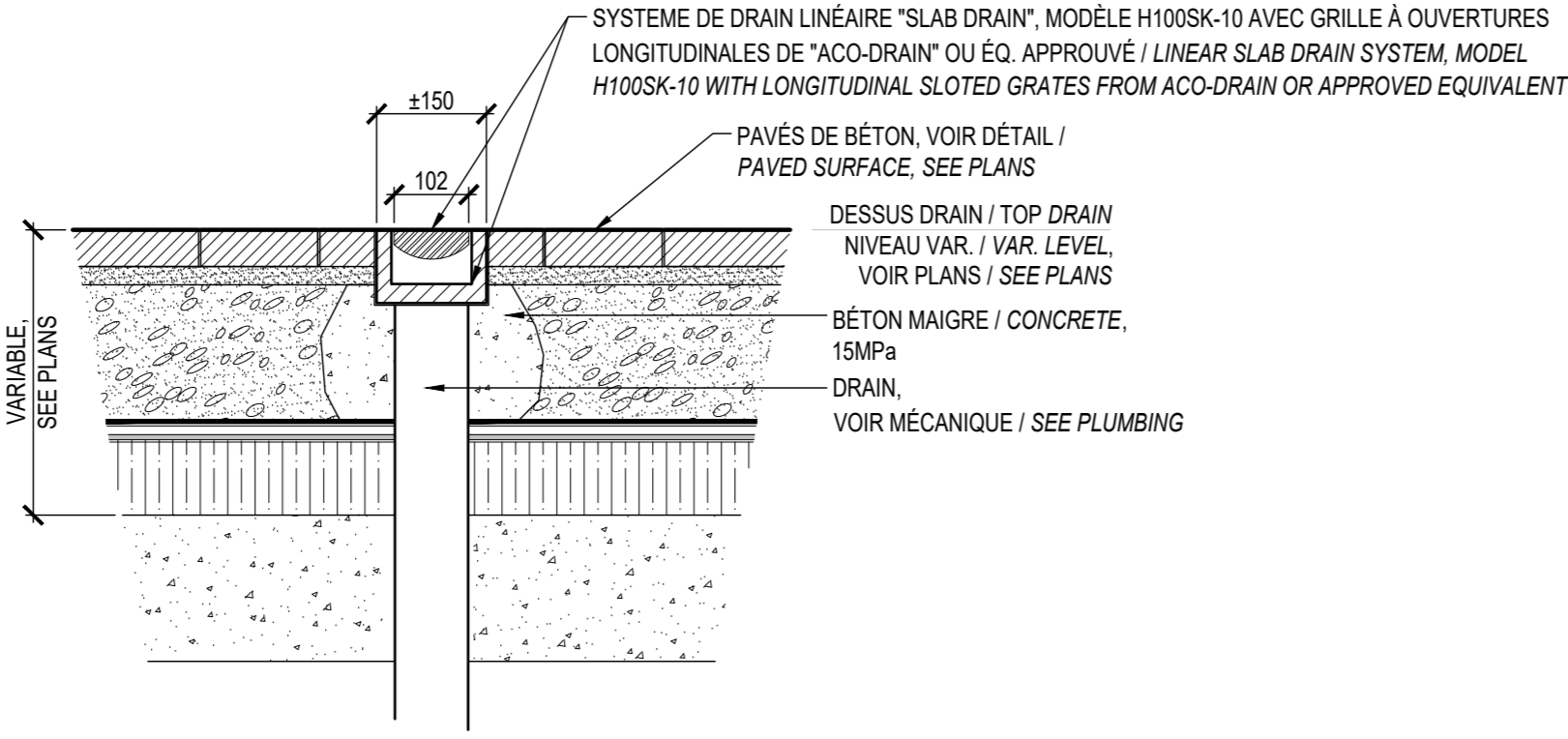
12 BORDURE DE BÉTON PRÉFABRIQUÉ / PRECAST CONCRETE CURB  
Echelle 1:10 / Scale 1:10

- NOTES:
- BÉTON COULÉ EN USINE / CONCRETE CAST AT FACTORY;
  - LE BANC DE BÉTON PRÉFABRIQUÉ SERA DE COULEUR (FOURNIR UN ÉCHANTILLON POUR APPROBATION) / CONCRETE BENCH COLOR WILL BE (PROVIDE SAMPLE FOR APPROBATION);
  - LES SURFACES APPARENTES DOIVENT ÊTRE FINIES AU JET DE SABLE LÉGER / CONCRETE SURFACES MUST BE FINISHED WITH A LIGHT SANDBLAST;
  - INSTALLATION SELON LES RECOMMANDATIONS DU FABRICANT / INSTALLATION ACCORDING TO MANUFACTURER'S RECOMMENDATIONS;
  - L'ENTREPRENEUR DOIT FOURNIR POUR APPROBATION DES DESSINS D'ATELIER DÉTAILLÉS, CÔTÉS, SCÉLÉS ET SIGNÉS PAR INGÉNIEUR CERTIFIÉ / CONTRACTOR MUST PROVIDE DRAWINGS SEALED AND SIGNED BY A CERTIFIED ENGINEER;
  - PRÉVOIR EN USINE LES ÉLÉMENTS D'ANCRAGE AUX MODULES AFIN DE LES CONNECTER LES UNS AUX AUTRES. LA FIXATION NE DOIT PAS ÊTRE APPARENTE. FAIRE APPROUVER LE MODE DE FIXATION PAR LE DIRECTEUR DE PROJET. PRÉVOIR UNE ENCAURE DANS LES MODULES DE BÉTON / PROVIDE AT THE FACTORY THE ANCHORING ELEMENTS IN ORDER TO CONNECT THE CONCRETE MODULES TO ONE ANOTHER. THE ATTACHMENT MUST NOT BE APPARENT. HAVE THE FIXING MODE APPROVED BY THE PROJECT MANAGER. PROVIDE A CAVURE IN THE CONCRETE MODULES;
  - PRÉVOIR UNE PENTE DE 1% SUR TOUTES LES SURFACES HORIZONTALES POUR PERMETTRE L'ÉCOULEMENT DE L'EAU / LEVEL ALL HORIZONTAL SURFACES AS TO KEEP A 1% SLOPE TO ALLOW WATER DRAINAGE

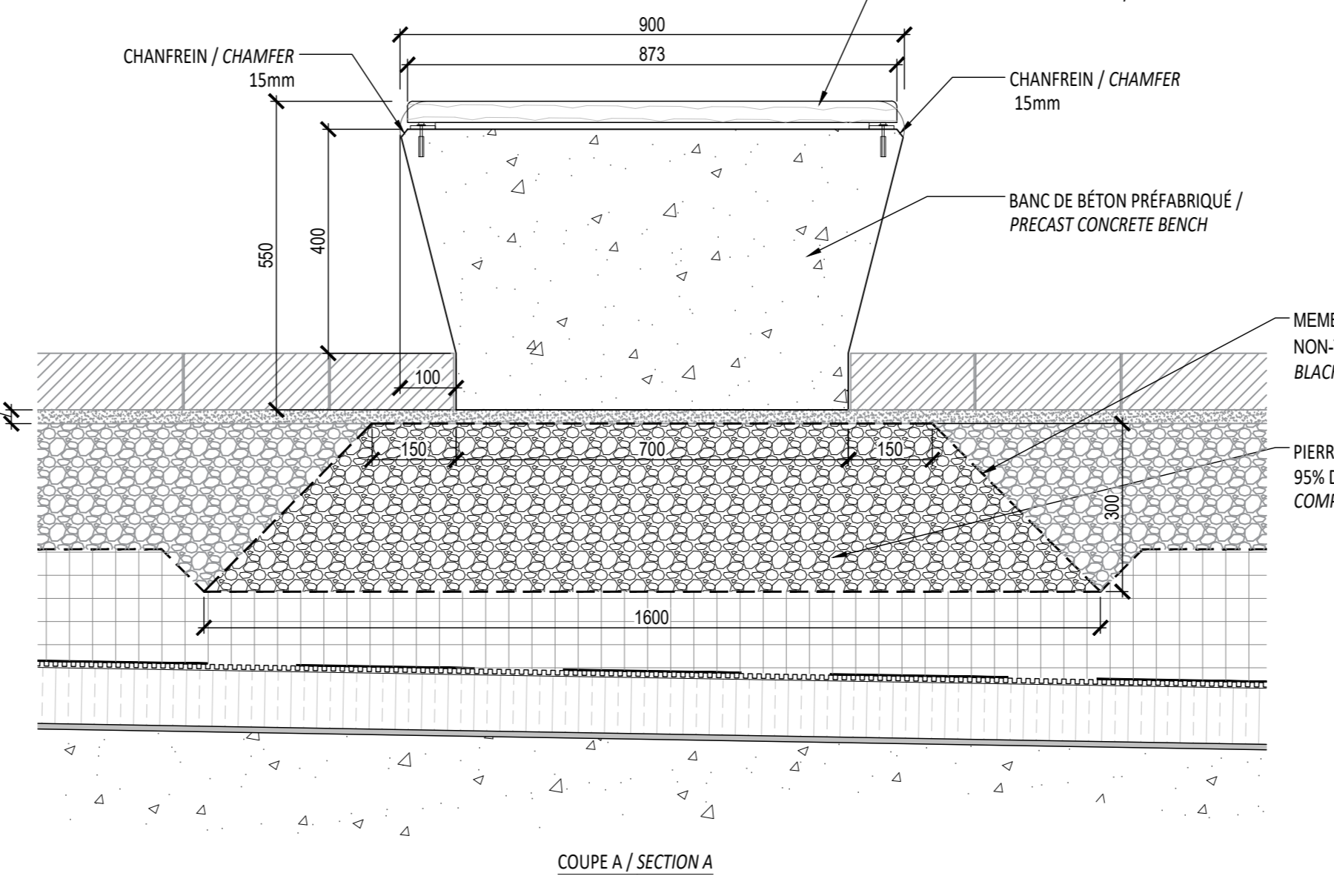


- Notes:
- The Contractor must verify all site existing conditions before beginning the work and inform the Project Director of any errors, omissions or contradictions.
  - Existing grades indicated on the plan come from the survey provided by the owner.
  - The Contractor must not cut down any existing vegetation without the approval of the Project Director.
  - Implementation of the works on site must be approved by the Project Director.
  - The Contractor must use the CAD file for implementation of all work.
  - The contractor must verify the amounts specified in the schedule and notify the landscape architect of any errors, omissions or contradictions before the close of the bid.

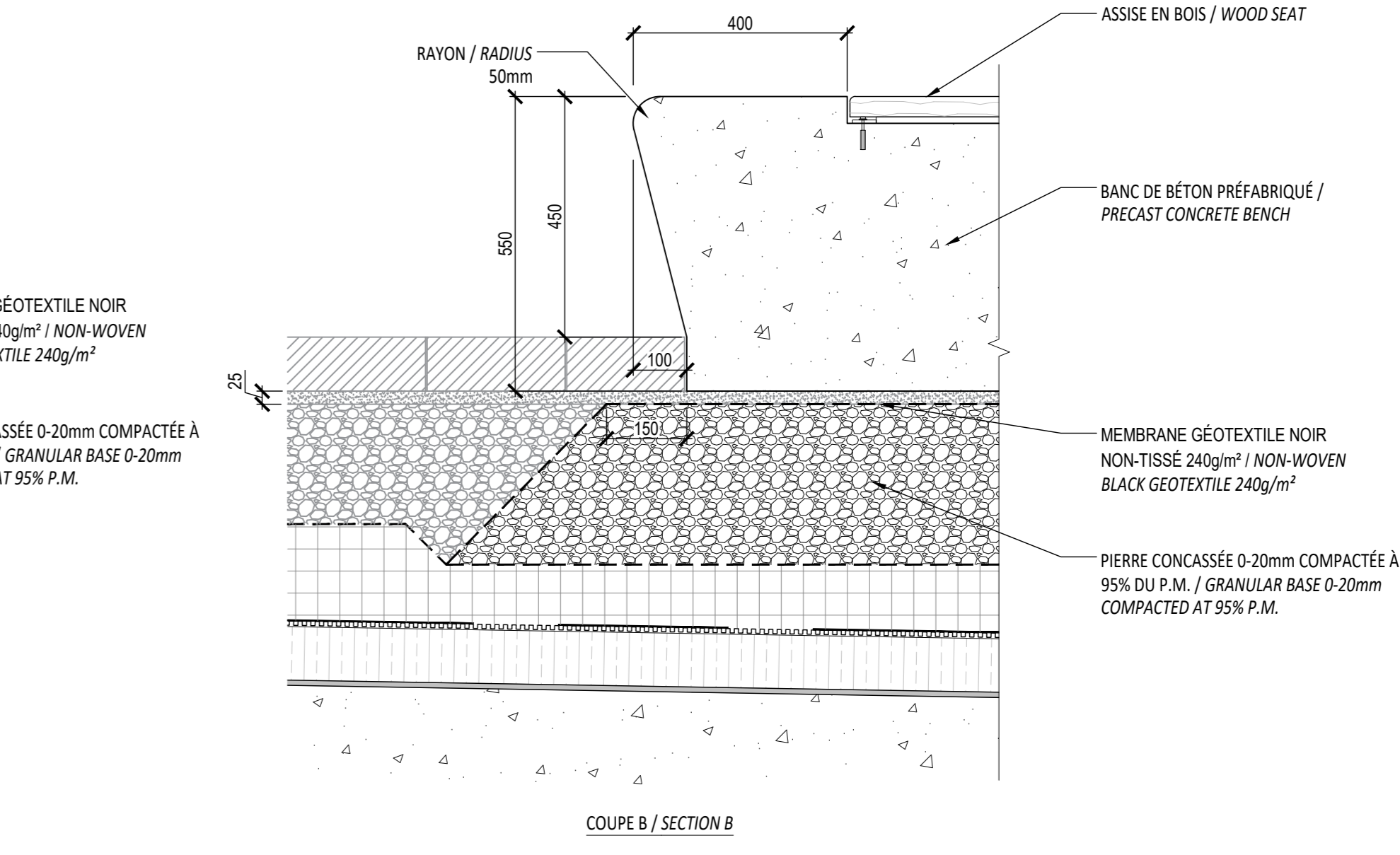
- NOTES:
- METTRE EN PLACE LES CONDUITES VERTICALES ET LES TÊTES DE PUISARDS SUR LE PANNEAU DRAINANT DE MANIÈRE À ASSURER L'ÉCOULEMENT DES EAUX SUR LA DALLE VERS LE DRAIN DE TOIT. / INSTALL VERTICAL PIPES AND DRAIN HEADS ON DRAINAGE MEMBRANE AS TO ASSURE WATER DRAINAGE TO THE ROOF DRAINS



32 CANIVEAU / TRENCH DRAIN  
Echelle 1:10 / Scale 1:10

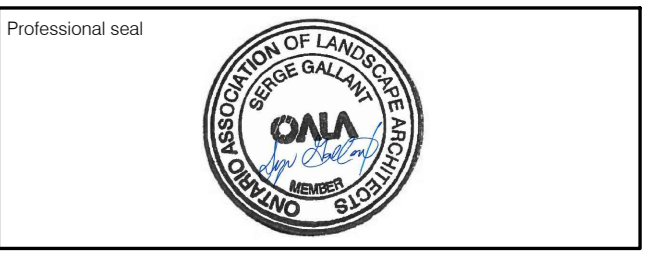


11 BANC DE BÉTON PRÉFABRIQUÉ / PRECAST CONCRETE BENCH  
Echelle 1:10 / Scale 1:10



PROJET | PAYSAGE

24 Mont-Royal O. Bureau 801. Montréal. Québec. H2T 2S2  
T: 514.849.7700 F: 514.849.2027 info@projetpaysage.com



Project name: 979, WELLINGTON

Drawing title: CONSTRUCTION DETAILS

Indicated scales:

Designed by: S. Gallant  
 Drawn by: X. Benjamin  
 Approved by: S. Gallant  
 Date: November 2020  
 20-640

AP-50



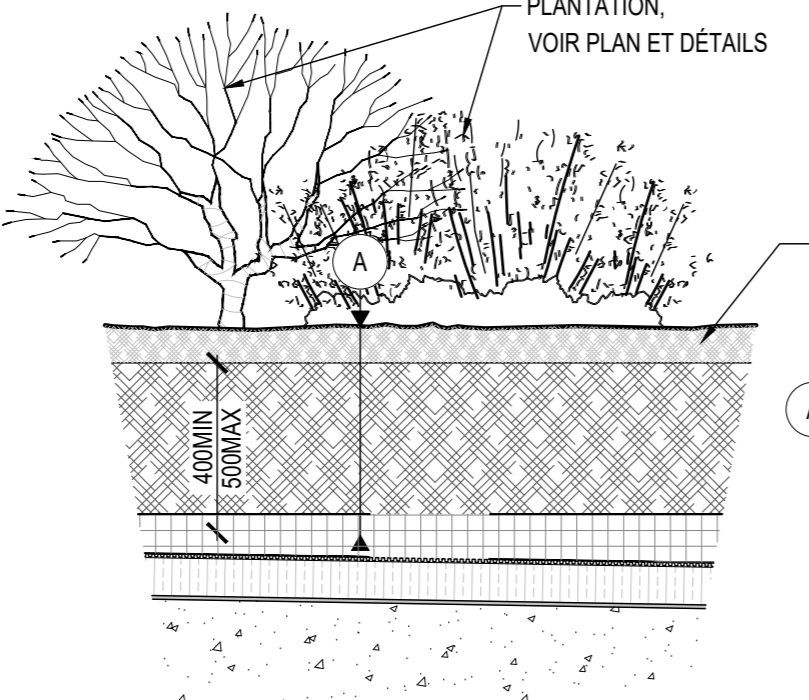
MAGIL LAURENTIENNE

ML Wellington Realty Investments Inc.  
C/O ML DEVO INC.  
651, Churchill Avenue N  
Ottawa (Ontario) K1Z 5G2  
Tel: 613-686-6319

Révisions			
No	Description	Accr	Date
1	Preliminary Issue	S.G.	11/15/21
2	Site Plan Control	S.G.	12/10/21
3	Site Plan Control	S.G.	12/13/21
4	Site Plan Control	S.G.	12/15/21
5	Site Plan Control	S.G.	03/18/22
6	Site Plan Control	S.G.	06/23/22
7	Coordination plans - 99%	S.G.	08/26/22
8	Site Plan Control	S.G.	12/13/22

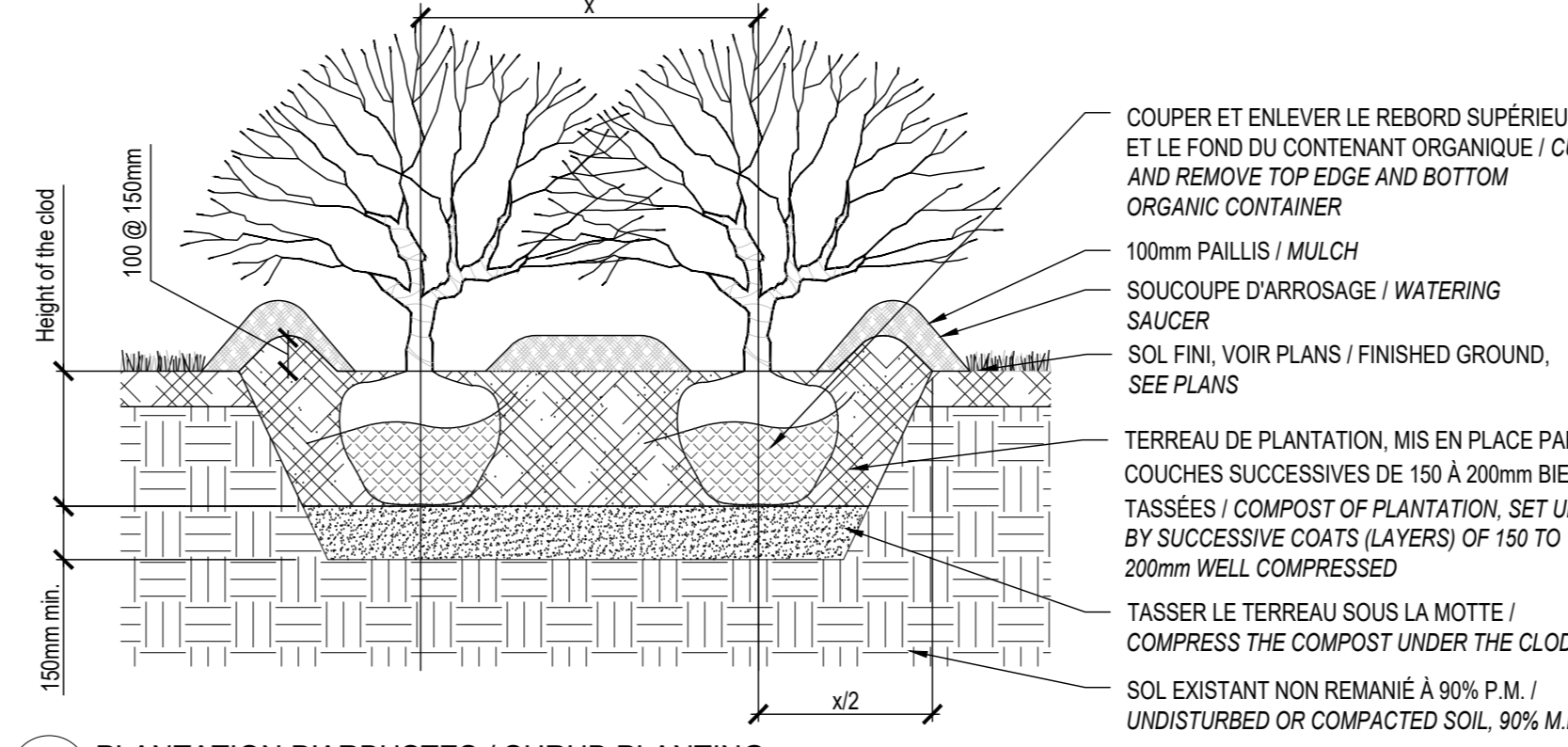
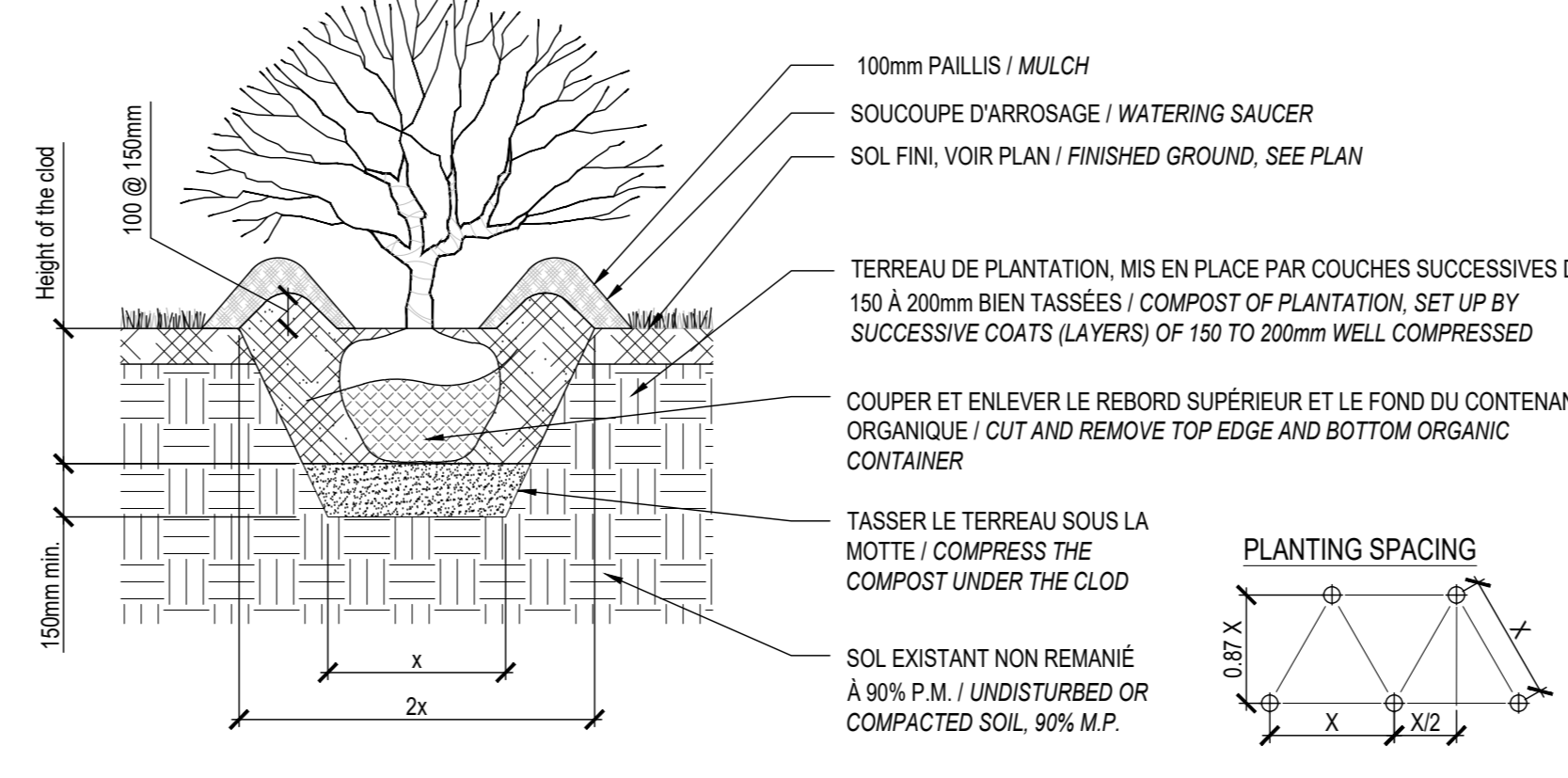
DO NOT USE FOR CONSTRUCTION

- NOTES:**
- IT IS THE RESPONSIBILITY OF THE CONTRACTOR TO VALIDATE THE THICKNESS OF THE SOIL WITH THE BUILDING STRUCTURE.
  - WITH THE EXCEPTION OF TREES, THERE MUST BE A MAXIMUM OF 500MM OF SOIL AND/OR GRANULAR FOUNDATION ON THE CONCRETE SLAB. FILL ALL SPACE ABOVE THE REQUIRED SOIL AND/OR GRANULAR FOUNDATION THICKNESS WITH RIGID INSULATION TO REACH THE FINISH GRADE INDICATED ON THE PLANS.
  - MAKE SURE TO HAVE A MINIMUM AND MAXIMUM OF 1000MM OF SOIL. FILL ALL SPACE ADJACENT TREE WITH RIGID INSULATION, AS TO RESPECT THE MAXIMUM OF 500MM OF SOIL.
  - WHEN PLANTING SHRUBS, MAKE SURE TO HAVE A MINIMUM OF 500MM OF SOIL.
  - WHEN PLANTING PERENNIALS AND/OR ORNAMENTAL GRASSES, MAKE SURE TO HAVE A MINIMUM OF 500MM OF SOIL.
  - FOR SOIL, ENSURE YOU HAVE A MINIMUM OF 150MM OF SOIL.
  - REGARDLESS OF THE TYPE OF SURFACE (PLANTING, PAVERS, EDGES OR WALLS), INSTALL ALL THE DRAINAGE PANEL ON THE ENTIRE SURFACE OF THE SLAB AND IN A CONTINUOUS MANNER.



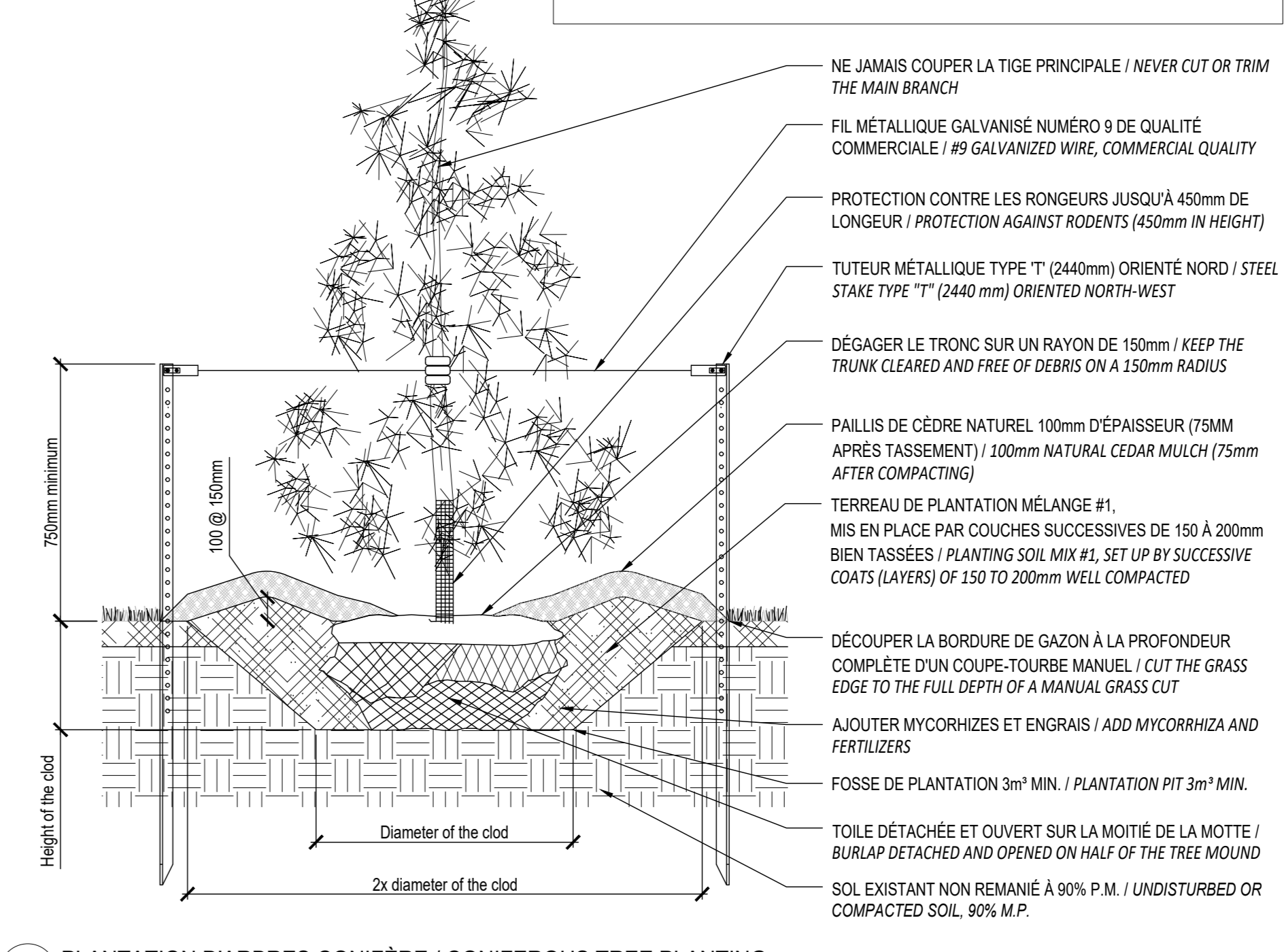
**COUPE TYPE - PLANTATION ARBUSTES, VIVACES ET/OU GRAMINÉES SUR DALLE / SHRUB AND/OR PERENNIAL PLANTING ON SLAB**  
Echelle / Scale 1:20

**NOTE:**  
LA FOSSE DE PLANTATION DOIT AVOIR UN DIAMÈTRE DE 500mm MINIMUM / THE PLANTING PIT MUST HAVE A DIAMETER OF 500mm MINIMUM



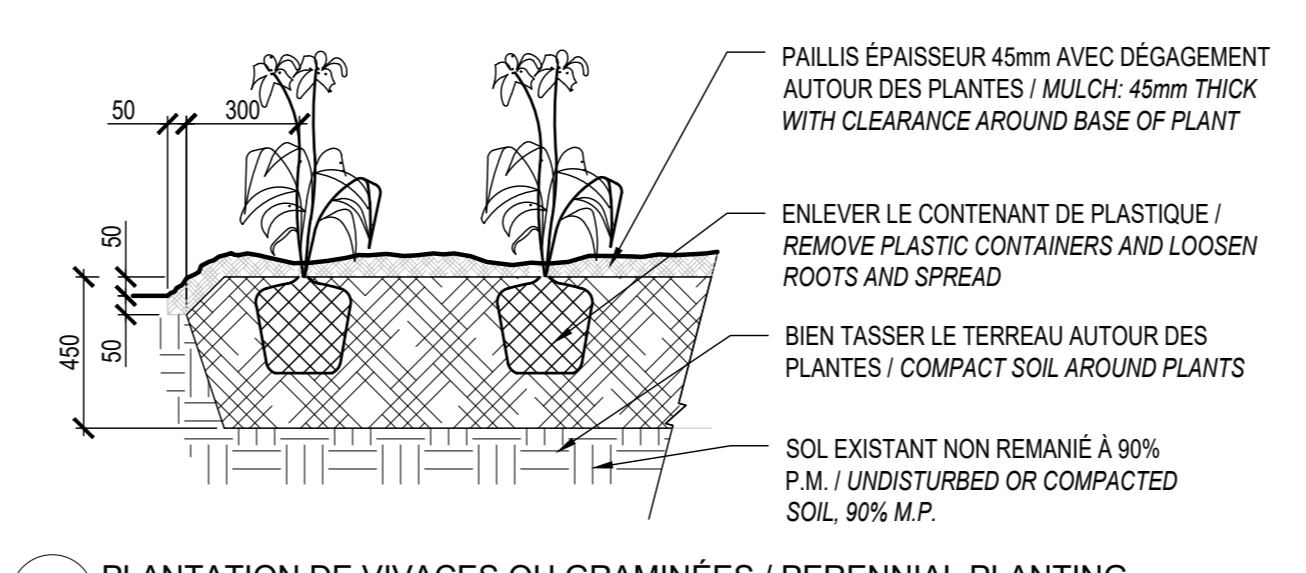
**PLANTATION D'ARBUSTES / SHRUB PLANTING**  
Echelle / Scale 1:20

**NOTE:**  
LA FOSSE DE PLANTATION DOIT AVOIR UN DIAMÈTRE DE 500mm MINIMUM / THE PLANTING MUST HAVE A DIAMETER OF MIN 500mm  
LES TUTEURS NE SONT REQUIS QUE LORSQUE LE CONIFÈRE A UNE HAUTEUR DE PLUS DE 150cm / STAKES ARE REQUIRED ONLY WHEN THE EVERGREEN HAS A HEIGHT OF 150cm AND MORE

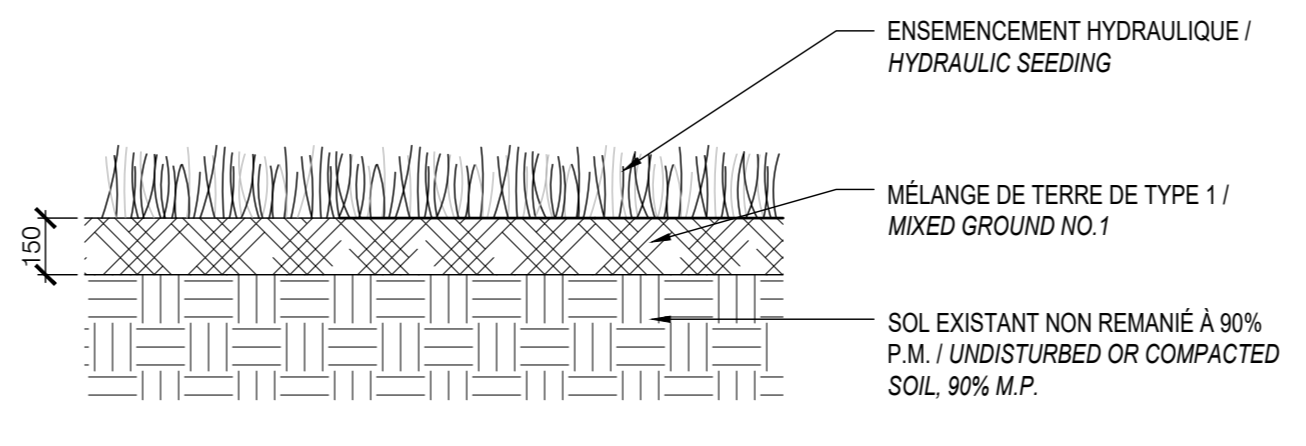


**PLANTATION D'ARBRES CONIFÈRE / CONIFEROUS TREE PLANTING**  
Echelle / Scale 1:20

**NOTE:**  
LES VIVACES SONT TOUJOURS PLANTÉES EN QUINCONCE (X) VOIR LISTE DE PLANTATION ET PLANS / PERENNIALS ARE ALWAYS PLANTED IN STAGGERED ROWS (X) SEE LISTS OF PLANTING AND PLANS  
ARROSER ABONDAMMENT LE SOL AUSSITÔT APRÈS LA PLANTATION / SPRAY THE GROUND WITH WATER IMMEDIATELY AFTER PLANTING

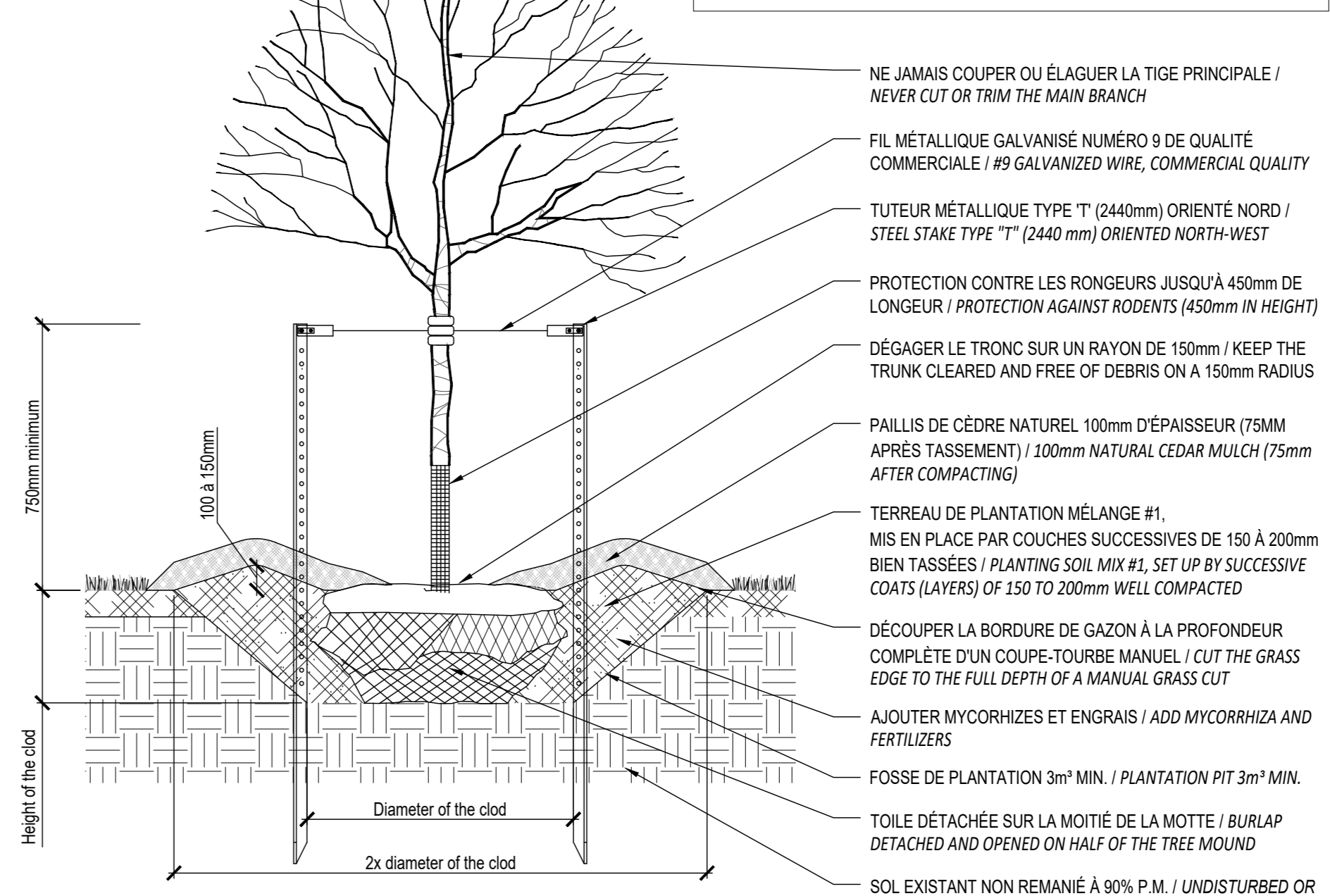


**PLANTATION DE VIVACES OU GRAMINÉES / PERENNIAL PLANTING**  
Echelle / Scale 1:20

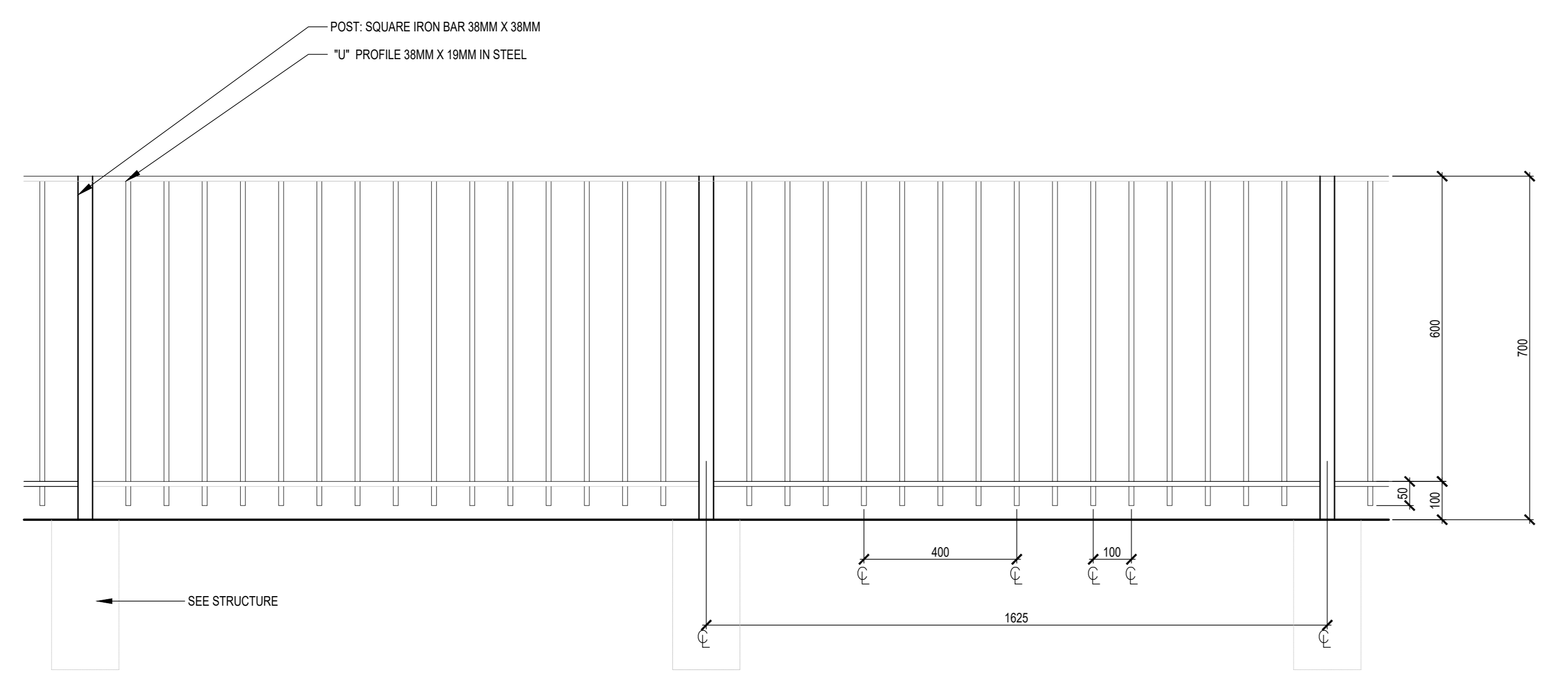


**ENSEMENCEMENT HYDRAULIQUE / HYDRAULIC SEEDING**  
Echelle / Scale 1:20

**NOTE:**  
ENLEVER LA MOTTE SUPÉRIEURE DU PANIER DE BROCHE SANS BRISER ET DÉSTABILISER LA MOTTE ET TRANSPORTER HORS DU SITE LES DÉBRIS / REMOVE THE UPPER HALF OF THE SPINDLE BASKET WITHOUT BREAKING OR DESTABILIZING THE TREE MOUND AND TRANSPORTING THE DEBRIS OFF SITE  
ENLEVER LE MAXIMUM DES ENBALLAGES (LITE, COBRE, ETC) ET TRANSPORTER LES DÉBRIS HORS DU SITE / REMOVE THE MAXIMUM OF ALL PACKAGING (LITE, ROPE, ETC.) AND TRANSPORT THE DEBRIS OFF SITE



**PLANTATION D'ARBRE FEUILLU**  
Scale 1:20



**ROUGH IRON DECORATIVE FENCE**  
Echelle / Scale 1:10

- Notes:**
- The Contractor must verify all site existing conditions before beginning the work and inform the Project Director of any errors, omissions or contradictions.
  - Existing grades indicated on the plan come from the survey provided by the owner.
  - The Contractor must not cut down any existing vegetation without the approval of the Project Director.
  - Implantation of the works on site must be approved by the Project Director.
  - The Contractor must use the CAD file for implantation of all work.
  - The contractor must verify the amounts specified in the schedule and notify the landscape architect of any errors, omissions or contradictions before the close of the bid.

**PROJET | PAYSAGE**  
24 Mont-Royal O. Bureau 801. Montréal. Québec. H2T 2S2  
T: 514.849.7700 F: 514.849.2027 info@projetpaysage.com

Professional seal

Project name: **979, WELLINGTON**

Drawing title: **CONSTRUCTION DETAILS**

Indicated scales: **AP-51**

Designed by: S. Gallant  
Drawn by: X. Benjamin  
Approved by: S. Gallant  
Date: November 2020  
20-640